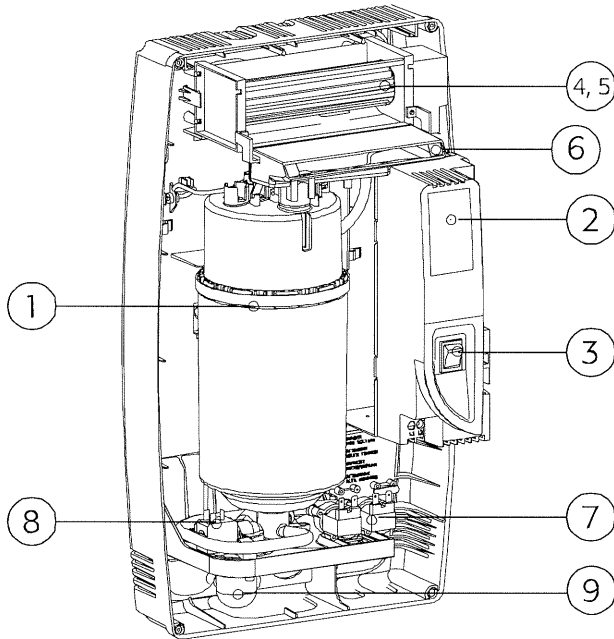


7.3 Replacement Parts



Item	Part No.	Description
1	See the table below	Steam generator cylinder
2	7532	15-1 Control module 110 VAC 1-phase
	7533	35-1 Control module 230 VAC 1-phase
	7549	35-17 Internal cables kit
3	7551	35-18 On/off switch
4	7534	15-2 Room blower assembly 110 VAC 1-phase
	7535	35-2 Room blower assembly 230 VAC 1-phase
	7544	35-19 Blower filter
6	7536	35-20 Internal steam distributor for room blower
7	7537	15-3 Fill/tempering valve 110 VAC 1-phase
	7538	35-3 Fill/tempering valve 230 VAC 1-phase
8	7539	15-4 Drain valve 110 VAC 1-phase
	7541	35-4 Drain valve 230 VAC 1-phase
9	7442	35-21Ninety-degree drain adapter
	7548	35-22 Fill cup
	7546	35-23 Internal hoses kit for room versions
	7547	35-24 Internal hoses kit for duct versions
	7553	35-25 Cover holding screws

Fig. 7.b

Cylinders (item 1)	Rated steam flow		Vac 1-phase	Supply water conductivity (μ S/cm)		Description
7523	5.5 lbs/h	2.5 kg/h	110	Low and Normal	125-1250	15-14 Steam Cylinder
7508A	7 lbs/h	3.2 kg/h	230	Normal	350-1250	20-14A Steam Cylinder
7524	12 lbs/h	5.4 kg/h	230	Normal	350-1250	35-14 Steam Cylinder
7543	12 lbs/h	5.4 kg/h	230	Low	125-350	35-15 Steam Cylinder Low Conductivity

7552	35-16 Internal filter and gasket valid for all cylinders
------	--