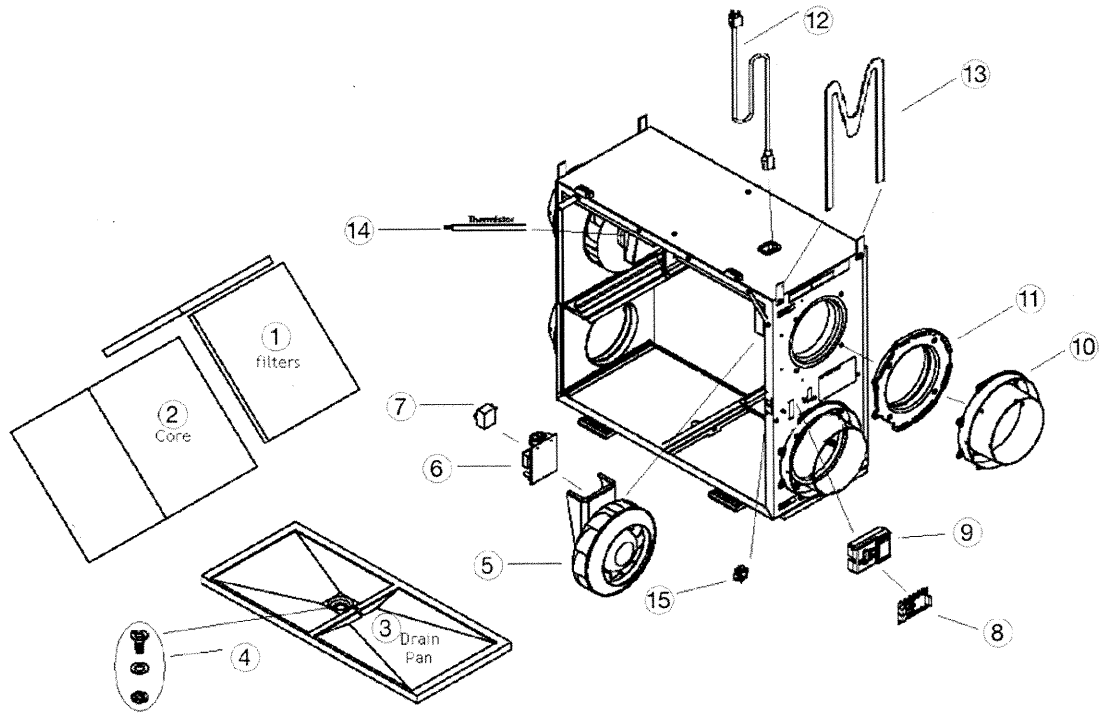


# ERV/HRV



| Item | Qty. Req'd | GFI Number | Description of Part   |
|------|------------|------------|---|
| 1    | 1          | 4663       | 100328 Filter Media Pads (HRV8160, ERV 3160)                                      |
|      | 1          | 4667       | 100329 Filter Media Pads (HRV8220, ERV 3220)                                      |
| 2    | 1          | 4662       | 101789 Polypropylene core Assy. (HRV8160)   |
|      | 1          | 4664       | 101788 Polypropylene core Assy. (HRV8220)   |
|      | 1          | 4672       | 101791 Enthalpy Core Assy. (ERV3160)  |
|      | 1          | 4674       | 101790 Enthalpy Core Assy. (ERV3220)  |
|      | 1          | 4668       | 101428 Drain Pan (HRV8160, ERV 3160)  |
| 3    | 1          | 4669       | 101429 Drain Pan (HRV8220, ERV 3220)  |
| 4    | 1          | 4673       | 100770 Drain Fitting Kit (HRV 8160, 8220, ERV 3160,3220)                          |
| 5    | 1          | 4677       | 101792 Blower Motor (HRV 8160, 8220, ERV 3160,3220)                               |
| 6    | 1          | 4678       | 101787 Electronic Board, High Voltage (HRV 8160, 8220, ERV 3160,3220)             |
| 7    | 1          | 4679       | 101800 Capacitor (HRV 8160, 8220, ERV 3160,3220)                                  |
| 8    | 1          | 4681       | 101781 Electronic Board, Low Voltage (HRV 8160, 8220, ERV 3160,3220)              |
| 9    | 1          | 4682       | 100769 Duotrol Kit, box & Decals only (HRV 8160, 8220, ERV 3160,3220)             |
| 10   | 1          | 4683       | 101795 6" dia. Plastic, Dbl. Collar. Req's 101796 (HRV 8160, 8220, ERV 3160,3220) |
| 11   | 1          | 4684       | 101796 6" dia. Plastic, Keeper. Req's 101795 (HRV 8160, 8220, ERV 3160,3220)      |
| 12   | 1          | 4686       | 101798 Power Cord. 18AWG, 60" SJT, CSA/UL (HRV 8160, 8220, ERV 3160,3220)         |
| 13   | 1          | 4687       | 101806 Adjustable Hanging Straps (HRV 8160, 8220, ERV 3160,3220)                  |
| 14   | 1          | 4688       | 101802 Thermistor c/w Harness (Defrost Sensor) (HRV 8160, 8220, ERV 3160,3220)    |
| 15   | 1          | 4689       | 101804 Door Switch, SPST MPL (HRV 8160, 8220, ERV 3160,3220)                      |