

Model 1042LH

Installation & Owners Manual

Humidifier
GFI #5144

Please Read And Save These Instructions

- Installation by anyone other than a qualified contractor voids the warranty.
- Product designed for residential installation only. Commercial installation voids warranty.
- Modification or alteration of product, parts, installation instructions or local safety codes voids warranty.
 - Read our full warranty policy at the end of this document.



Breathe Healthier

General Filters, Inc.
43800 Grand River Avenue
Novi, Michigan 48375
Toll Free: (866) 476-5101
www.generalaire.com

Canadian General Filters, Ltd.
400 Midwest Rd.
Toronto, ON M1P3A9 Canada
Toll Free: (888) 216-9184
www.cgfproducts.com

GENERALAire[®]
Fresh Indoor Air Quality

Model 1042LH Table of Contents

Subject	Page #
Specifications	3
Unit Location	3
Additional Materials That May Be Necessary	3
Installation	4-5
Installing / Wiring The Control	6
Installation Final Steps	7
How the Humidifier Works	7
Maintenance	8
Parts Drawing	8
Trouble Shooting	9
FAQ's	10
Limited Warranty	11-12



WARNING!

This symbol indicates: **IMPORTANT INSTRUCTIONS!**
Failure to heed them can result in serious injury or death.

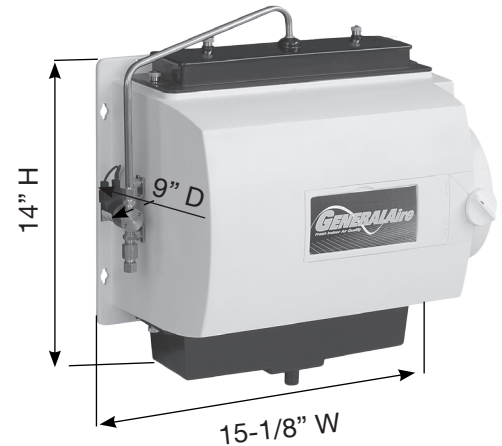


CAUTION!

This symbol indicates: **IMPORTANT INSTRUCTIONS!**
Failure to heed them can result in serious injury or material property damage.

Specifications

- **Model:** 1042LH Legacy Flow Through Humidifier (GFI #5144)
- **Type:** Flow Through
- **GPD:** 17 Based on 120° F / 49° C Plenum Temperature
- **Warranty (Years):** 5
- **Replacement Vapor Pad®:** 990-13 (GFI#7002)
(Replace 1-2 times per season)
- **Dimensions (Inches):** 14 H x 15-1/8 W x 9 D
- **Weight (Pounds):** 13
- **Home Size (Square Feet):** To 3,000
- **Installation:** Warm Air Plenum / Right or Left
- **Plenum Opening (Inches):** 9-1/2 H X 13-5/8 W
- **Bypass Duct (Inches):** 6
- **Pallet Qty:** 30
- **Cabinet Construction:** UV-Stable Automotive Grade Plastic
- **Humidistat:** Models: MHX3C (Included)
- **Voltage:** 24VAC
- **In Box:** Humidifier, Humidistat, Installation Instructions, Vapor Pad®, Parts Kit, Drain Hose, Transformer, Metal Distributor Tube, Damper, 15' 5/8" Drain Hose, Drain Pan, Solenoid Valve

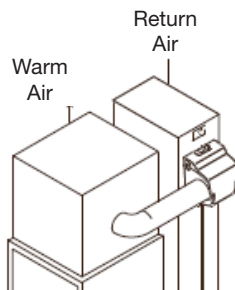


Unit Location



WARNING: Disconnect electrical power before beginning installation.

- Do not install where temperatures fall below 32° F / 0° C or where plenum temperatures exceed 200° F / 93° C. When wiring into a multi-speed blower circuit see Step 7D.
- The humidifier may be mounted with the 6" outlet to the right or left by inverting the cabinet and reversing the positions of the distributor trough and drain pan. The humidifier may be mounted on the warm or return air plenum with equal efficiency.



Installation Options:

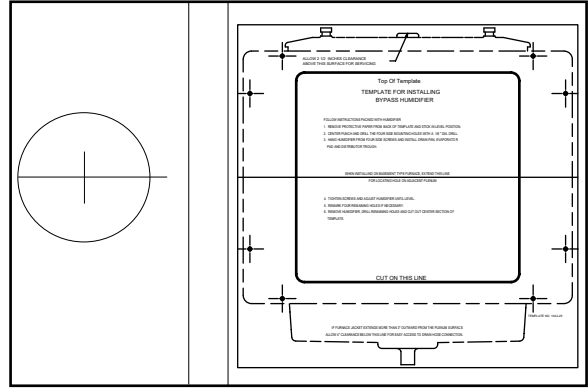
- Warm Air Plenum
- Return Air Plenum
- Right or Left Bypass
- Vertical or Horizontal
- Furnace or Air Handler

Additional Materials That May Be Necessary

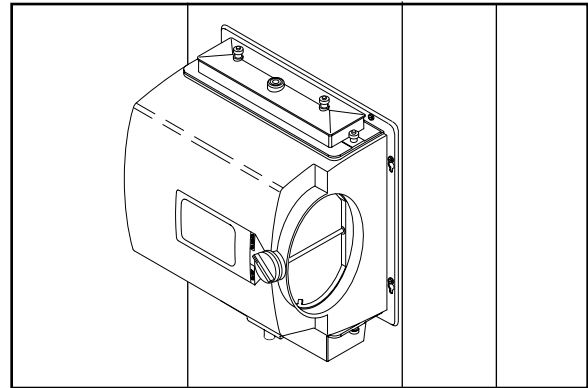
1. 1/4" Diameter plastic supply tubing or 1/4" copper supply tubing for hot water applications
2. 6" Diameter galvanized by-pass pipe
3. Electrical wire and wire nuts
4. Air pressure switch (Model #12500 - GFI #7021)
5. Current sensing relay (Model #GA50 - GFI #7026)

Installation

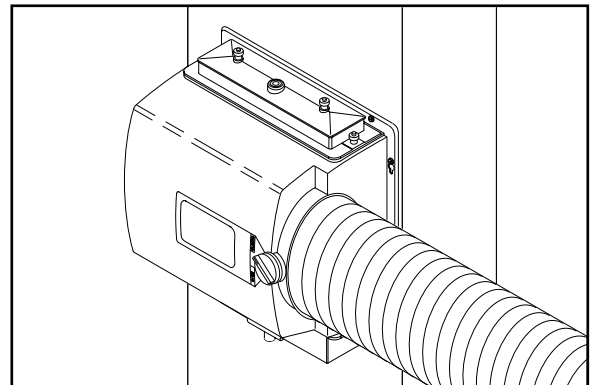
1. Select location on vertical surface of warm or return air plenum for mounting humidifier. For plenum sizes 9 1/2" to 15" use 1040AD adapter plate (CGF #GP1040AD) and five screws, 3 screws in top (supplied with DM model only). Affix mounting template in place making sure the template is level. Do not install humidifier or 6" bypass pipe where the blanked off ends of a cooling coil will restrict air flow to the humidifier. Extend horizontal centerline from template to the adjacent plenum. Scribe 6" circle 10" to 15" from side of humidifier, on cabinet centerline, using connecting collar as guide. Cut out center section of template and 6" hole.



2. Install four sheet metal screws in the side mounting holes until the heads project about 3/8". Hang the humidifier from the four screws. Adjust humidifier until level and tighten four screws. Install four sheet metal screws in the remaining mounting holes. Tighten all 8 screws. Install drain pan, evaporator pad and distributor trough.



3. Install connecting collar. Connect by-pass pipe to collar and humidifier cabinet. Using holes at top and bottom of humidifier bypass opening, screw by-pass pipe to humidifier cabinet.



Installation, Cont.



CAUTION: Turn off water supply.



CAUTION: Do not use plastic tubing on hot water or in contact with any hot plenum surface or duct. Installation of this saddle valve must meet or exceed local codes and ordinances.

4. Mount the Self-Tapping Saddle Valve.

Copper Pipe:

1. Retract piercing pin into valve body by turning handle counterclockwise.
2. Screw valve body into upper bracket and tighten.
3. Place rubber gasket over piercing pin.
4. Assemble saddle valve over copper pipe using enclosed screws, nuts and lower bracket.
5. Tighten screws evenly and firmly. Brackets should be parallel.
6. Complete compression connection to saddle valve outlet.
7. Turn handle clockwise to pierce tubing and close saddle valve.
8. Turn handle counterclockwise to open saddle valve, leave open for several seconds to flush dirt from pipe and tubing.

Steel, Brass or Hard Plastic Pipe:

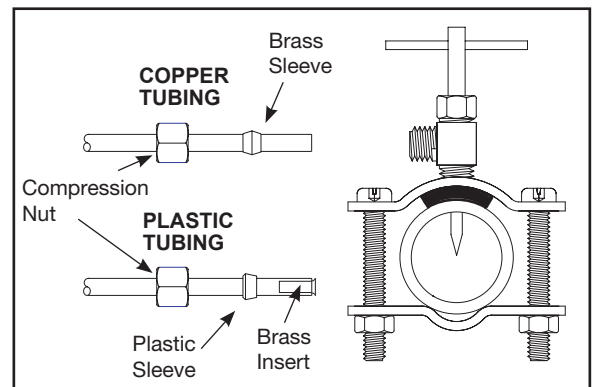
1. Shut off water supply and drain pipe.
2. Turn handle clockwise to expose piercing pin and close saddle valve.
3. Place rubber gasket over piercing pin.
4. Drill 1/8" hole in pipe .
5. Assemble saddle valve over steel, brass or hard plastic pipe using enclosed screws, nuts and lower bracket.
6. Tighten screws evenly and firmly. Brackets should be parallel.
7. Complete compression connection to saddle valve outlet.
8. Turn handle counterclockwise to open saddle valve, leave open for several seconds to flush dirt from pipe and tubing.

Threaded Pipe Fittings:

1. Turn handle clockwise to expose piercing pin and close saddle valve.
2. Seal valve body threads using pipe tape or sealant.
3. Install valve into 1/8" NPT fitting.
4. Complete compression connection to saddle valve outlet.
5. Turn handle counterclockwise to open saddle valve, leave open for several seconds to flush dirt from pipe and tubing.

5. Install the copper or plastic tubing.

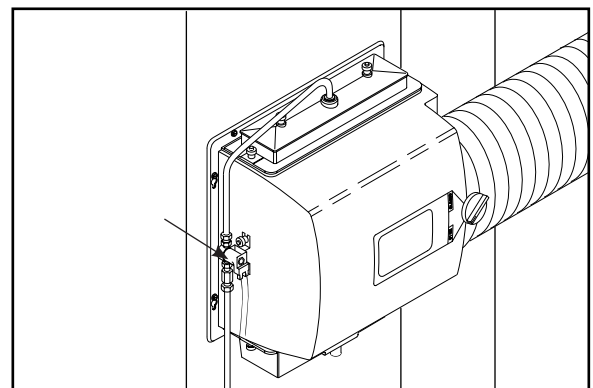
Connect 1/4" O.D. tubing to the saddle valve. Copper tubing requires a brass compression nut and brass sleeve. Plastic tubing requires a brass insert inside the tubing, a plastic sleeve on the outside with a brass compression nut. See figure to right.



6. Attach solenoid valve to side of humidifier cabinet with flow arrow pointing up, using thumb nuts provided. Do not reverse brass fittings as valve will not function if flow is reversed. Assemble distributor tube so that it is directed into the center opening of the distributor trough cover. Connect 1/4" water supply tube to brass filter at inlet of solenoid.

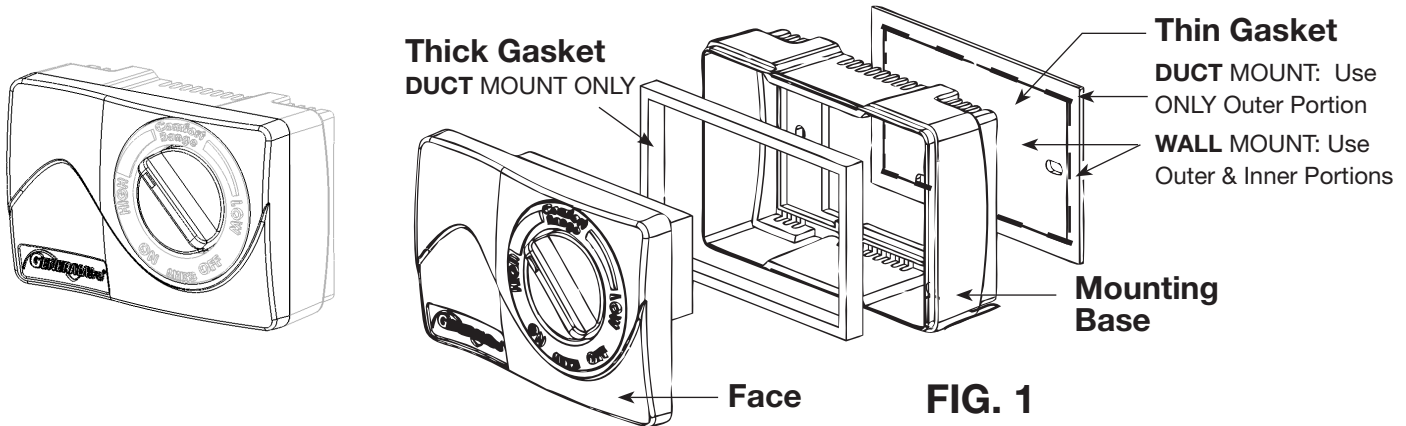


CAUTION: DO NOT USE PLASTIC TUBING IN CONTACT WITH ANY HOT PLENUM SURFACE OR DUCT. IF USING PLASTIC TUBING, USE TUBE SUPPORT PROVIDED.



Installing / Wiring The Control

WARNING: ALL WIRING SHOULD COMPLY WITH LOCAL ELECTRICAL CODES.



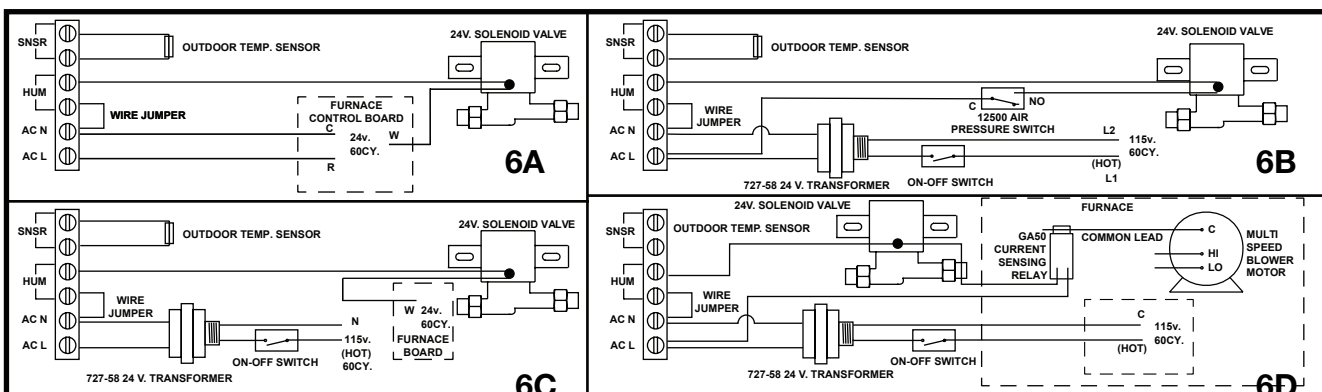
6. MHX3C: DUCT Mounting (Return Air Duct)

CAUTION: Do not install the humidistat on the warm air duct.

1. Locate the humidistat at least 24" upstream of the humidifier or bypass on the return air duct. Avoid areas of direct radiation like secondary heat exchangers in the fan compartment.
2. Place template using level. Cut sensor hole as shown on template. Drill four 3/32" holes (not shown).
3. Remove the housing from the base by prying with a small screwdriver at the notch in the side of the housing.
4. Gaskets: Place the outer portion ONLY of the thin foam gasket on the humidistat base and mount the base with four screws. Place the thick gasket inside the wall mount base to seal off air entering through the vents. Low voltage wire may enter the humidistat under the foam seal.
5. Connect wires to screw terminals on the control assembly as shown in wiring diagram. Replace housing.

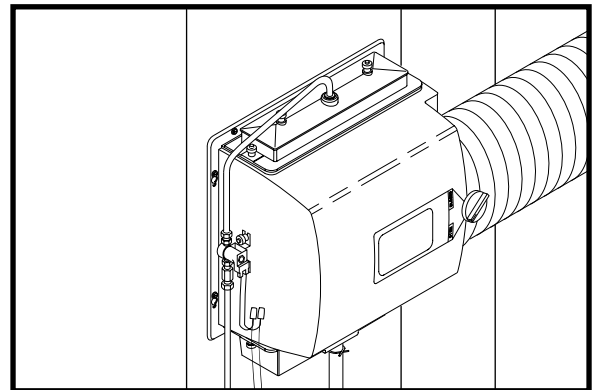
6. MHX3C: WALL Mounting Instructions

1. Choose a location for the humidistat about five feet above the floor on an inside wall with average room temperature and humidity conditions.
2. Drill a small hole in the wall and run low voltage wiring to the location chosen. Pull about 6" of wire through the hole. Plug the opening to prevent drafts from affecting the humidistat operation. Remove the housing from the base by prying with a small screwdriver at the notch in the side of the housing.
3. Gaskets: Place the entire outer and inner portions of the gasket on the base as shown. Do NOT install the thick gasket inside the base.
4. Mount the base horizontally over the wires using level. Attach directly to the wall, using four screws provided.
5. Connect wires to screw terminals on the control assembly as shown in wiring diagram. Replace housing.



Installation Final Steps

7. Connect drain hose to 5/8" spout on humidifier cabinet using hose clamp provided. Run 5/8" hose to suitable drain such as floor drain, laundry sink or to a condensate pump (sold separately). Be sure hose has continuous slope and is not kinked at any point.
8. Turn on water supply and check operation of humidifier. Set humidistat to a demand setting. With the furnace off, the solenoid valve should be closed. Start the furnace, the solenoid valve should open when the blower or burner circuit is energized. Check flow of water through distributor trough and evaporator pad. The standard 990-37-76 (GFI #7008) orifice will supply approximately 3.5 GPH of water at a line water pressure of 60 PSI. For low water pressures (20-40 PSI) a larger orifice 990-37-75 (GFI #7009) is available to provide the same flow. Leave humidistat set at the recommended setting.



How The Humidifier Works

- The operating principle of the humidifier is based on the most efficient and economical means of evaporating water to the air. The humidifier uses only 2.5 watts of electrical power during operation, less than the smallest household light bulb. The heat necessary for evaporating water is produced by the furnace. The water supply to the humidifier is controlled by the electric solenoid valve. The humidistat connected in series with the solenoid provides low voltage control of the humidifier. The humidistat is designed for wall mounting in the living area or surface mounting on the return air duct.
- Water flows through a strainer, is metered through an orifice to provide the proper amount of water, and is supplied to the Vapor Pad® by the distributor trough. Approximately 200 CFM of air is by-passed from the warm air plenum through the humidifier and returned to the cold air plenum. Moisture is evaporated to the air passing through the evaporator pad.
- Minerals are not blown into the air stream as occurs in atomizing humidifiers; they are left on the evaporator pad where a high percentage is carried off with the waste water.
- When the humidifier is installed and operating, no adjustments are necessary other than setting the control knob on the humidistat to the desired level of humidification. Set knob on the humidifier to "OPEN" position. To turn the humidifier off, close the water supply valve, switch electrical power off and turn the humidistat off. If furnace is used for summer cooling or ventilating set air damper on "CLOSED".

At Outside Temperature		Recommended Setting
-20°F	-29°C	15%
-10°F	-23°C	20%
0°F	-18°C	25%
+10°F	-12°C	30%
+20°F	-7°C	35%
+30°F	-1°C	40%



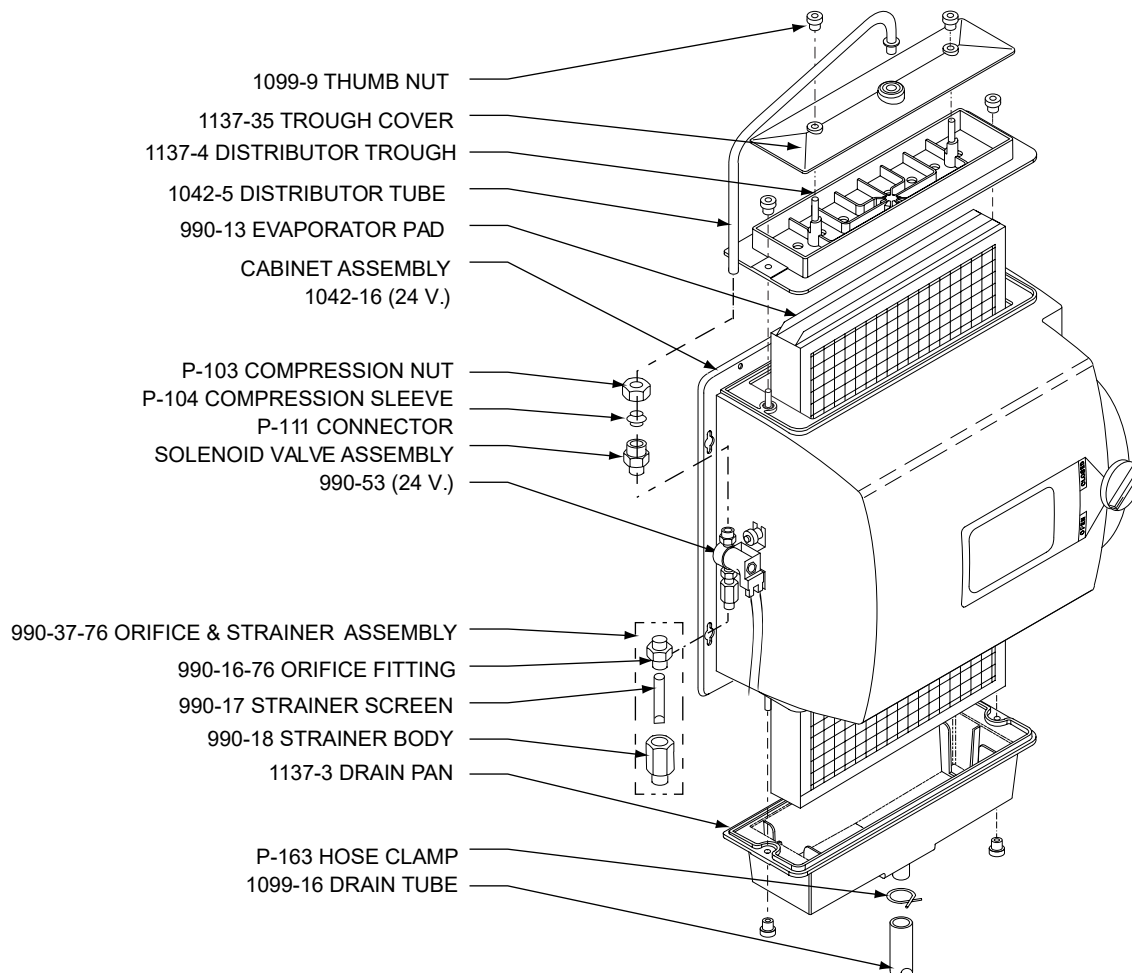
CAUTION: Do not set relative humidity too high during cold weather. Excessive humidity may cause condensation on windows or in walls. Refer to recommended settings as described in the humidistat owners manual.

Maintenance

Your humidifier is engineered to give helpful and trouble-free humidification. For maximum efficiency the following cleaning procedures should be carried out at the end of each heating season:

1. Turn off the water supply and electrical power to the humidifier.
2. Remove water distributor tube, distributor trough, used Vapor Pad® and drain pan. The Vapor Pad® may be removed from either the top or bottom of the humidifier. Clean excessive mineral deposits from the distributor trough, drain pan and humidifier cabinet. A solution of 1/2 vinegar & 1/2 water will help loosen mineral deposits.
3. Insert a new 990-13 (GFI #7002) Vapor Pad® (black notch on top). Install trough and drain pan. Replace the distributor tube to proper position over the distributor trough. Replace Vapor Pad® yearly for peak performance.
4. In heavy mineral areas, or if the solenoid valve fails to function, disconnect the 1/4" water supply line from the solenoid valve. Remove the brass strainer body from the solenoid valve. Carefully pull the strainer screen 990-17 (GFI #7005) from the orifice fitting. Clean the mineral deposits from all parts. If the orifice is clogged, it may be opened by inserting a small needle. Reinsert the filter into the orifice fitting and screw the brass strainer body into the solenoid valve.
5. Reconnect the 1/4" water line to the solenoid valve if necessary. Turn on the water supply and check all points for leakage. The operation of the unit may be checked by starting the furnace. The humidifier operates only when the furnace blower is running or the burner circuit is energized. The humidifier is now ready for operation.
6. During the summer, turn OFF the water supply and electrical power to the humidifier. Close the air damper.

Parts Drawing



Troubleshooting

1. My humidifier continues to run.

Check for the following:

- The valve might be stuck in the "open" position.
- Check for wiring errors.
- Is the unit sized properly for your home? If it is rated for a smaller-sized home than the home in which it is installed, it will work "overtime" to reach the humidification levels desired.
- Check the Vapor Pad®. If it is clogged, the pad will reduce the humidifier efficiency. Replace if necessary.

2. My solenoid valve is making a "chatter" noise.

This can be caused by any of the following:

- The power to the valve is less than 18V AC.
- The solenoid is causing a "water hammer condition" thru the water pipes (valve closes quickly and shuts off water flow, which in turn creates pressure behind the valve that has no avenue of relief). You may want to install a water hammering device with your plumbing, or contact your local plumber to determine the best solution.
- The humidistat is located too close to the humidifier or the by-pass pipe. Your humidistat should be a min. of 1.5' away or greater.
- The humidistat could have a buildup of dust, causing a faulty reading. Clean.
- The solenoid valve might be dirty. Remove, inspect and clean if necessary.
- Water supply pressure going to the valve may be too low.
- The hold down nut on top of the solenoid, as it may be loose.

3. The humidifier is not raising the humidity levels in my home.

Check for the following:

- Ensure you have changed / replaced your Vapor Pad® at the proper intervals (once per year) to ensure the greatest production of moisture.
- Check the setting of your humidistat to ensure it is set higher than current humidity levels in your home (when in doubt, turn it all the way to the right at maximum production). If you don't know what your current humidity level is, use an instrument called a thermohygrometer (Model 610; GFI #7065) to measure both heat and humidity levels in your home.
- Calculate your humidity load (Gallons Per Day - GPD) via our humidity calculator (www.generalfilters.com/Support). Check to see that your humidifier model is designed to produce the amount of moisture (GPD) you need.
- Have you recently installed hardwood floors? Have you recently remodeled and added on to your home? These can both increase your home's demand for humidity. Options include connecting your humidifier to the hot water supply (which can increase output by as much as 30%), or installing a new humidifier model that can generate more humidity.
- The unit is not recommended for heat pumps.
- Plenum temperatures must meet or exceed 120° F to achieve listed capacities.

4. My humidifier will not turn on.

The following might be occurring:

- Check to see if your humidifier is plugged in, that the breaker is engaged, and that power to other items from the same source is working.
- Check that the damper knob is in the "OPEN" position.
- Ensure a fuse has not blown.
- Check that connectors are properly inserted in the terminal block.
- Make sure the furnace is operating in the heat mode.



To ensure your safety and the longevity of your unit, we recommend contacting a licensed contractor to perform any repairs or maintenance.



FAQ's

1. How does a humidifier help with my allergies?

Dry air can lead to a host of problems for allergy and asthma sufferers. Dry climates, winter air, and artificial heat all contribute to the discomfort by drying out your skin, throat and delicate sinus passages and airways (which can contribute to sinusitis). Winter is an especially bad time for dry air as home heating systems, especially forced-air systems, reduce the amount of moisture in the air while humidity levels outdoors typically dip as well.

2. What range of humidity is ideal?

Research shows that 40-60% relative humidity is ideal. Outside this range, your risk of being adversely affected increases.

3. How often should I change my Vapor Pad®?

We recommend replacing your Vapor Pad® at least once per year. Minerals build up on the vapor pad over time, which in turn:

- Reduces the pad's ability to absorb water.
- Prevents the warm air from flowing through the pad. (Warm air moving through the water-soaked pad causes the water in the pad to evaporate. It is this process that delivers moisture throughout your home via the home's duct system.)

4. Can I clean my Vapor Pad® instead of replacing it?

A coating is applied to the Vapor Pad® that helps it absorb water and control water flow. If you subject the Vapor Pad® to cleaning, you usually remove much of the coating and the pad becomes ineffective. This reduces the output of the humidifier and increases water consumption.

Replace the Vapor Pad® annually.

5. Why would I want to install a humidifier?

For many reasons:

1. Since the air in your home is always trying to reach its saturation point, it will absorb water wherever it can; from the bodies of you and your children, your pets, your furniture and even your house plants. As a result your skin, throat and nasal passages dry out, leaving you more susceptible to physical discomfort, colds, flu and even infection. Allergy and asthma sufferers can be especially affected by air that's too dry.
2. Dry air causes dry, itchy skin.
3. Dry air cracks expensive woodwork, floors, musical instruments, artwork and furnishings.
4. Annoying static electricity (caused by dry air) can damage computers, VCR's and other electronic equipment, requiring expensive repair.
5. Dry air can cause harm to expensive musical instruments like pianos and violins.
6. Dry air causes gaps in window & door frames, letting cold outdoor air in; causing you to turn up the heat and increasing your heating bills! Controlled humidity from a GeneralAire® Humidifier allows you the luxury of dialing the thermostat back & reducing annual heating bills. For example, 68° at 40% relative humidity feels just as warm as 74° at 20% humidity. Setting your thermostat back by as little as three degrees can reduce annual heating bills by as much as 5%.

Limited Warranty

What is Covered

- Five Years: The 1042LH is warranted by General Filters, Inc. (“Company”) for a period of five (5) years from the date of the original installation, when installed in residential applications only (“Limited Warranty Period”).
- This Limited Warranty runs to the original purchaser of the Product(s) who owns, and resides in, the residential property for which it is installed and maintained.
- The Limited Warranty coverage begins upon the date the Product(s) is installed.
- This Limited Warranty is valid only for the original customer purchasing from Company, and is not transferable.

What is Not Covered

- The following components are not covered by this warranty: Vapor Pads, sleeves or plates, wiring, water strainers or metering orifices.
- This product is designed for residential installation only, therefore, commercial or industrial installations are not covered under this warranty.
- Failure to install the 1042LH Humidifier in accordance with these instructions, local codes or ordinances voids the warranty.
- Modifications, changes or alterations to equipment.
- Failure to perform regular maintenance as described in this document voids the warranty.
- This Limited Warranty is valid only for the original customer purchasing from Company, and is not transferable.
- Damage caused by misuse, neglect, fire, wind, mold, damage in transit, or other casualty, contact with corrosive materials (chlorine, flourine, salt, urine, fertilizers, recycled waste water, or other damaging substances), damage caused during installation, or any cause beyond General Filters, Inc. control is not covered under this Limited Warranty.
- Labor involved in diagnostic calls or in removing, repairing, servicing or replacing parts is not covered under this Limited Warranty.
- Shipping charges are not covered by this Limited Warranty.
- Agreements made by third parties that are not listed in this Limited Warranty.

What is Not Covered, Cont.

- Liability for special, incidental, direct, indirect, collateral and consequential damages is excluded. Some states do not allow limitation of incidental damages, so the limitations or exclusions may not apply to you. General Filters, Inc. will not pay electricity or fuel costs, or increases in electricity or fuel costs, for any reason whatsoever, including additional or unusual use of supplemental electric heat. This warranty does not cover lodging expenses or labor charges. General Filters, Inc. shall not be liable for any default or delay in performance under this warranty caused by any contingency beyond its control. This warranty gives you specific legal rights, and you may also have other rights which vary from state to state.

To Make a Warranty Claim / Obtain Service

- Owner must submit a warranty registration within 30 days after installation.
- The Owner must complete our online Return Merchandise Authorization (RMA) Form (www.generalfilters.com/returns), to arrange for applicable Limited Warranty service, within the warranty period. Owner must also provide complete model and serial number, proof of required periodic maintenance, installation date and location and an accurate, detailed description of the problem.
- Owner shall be solely responsible for properly packaging the Covered or Extended Coverage Equipment, for all freight charges, and for all risk of loss associated with shipment.
- Owner is responsible for obtaining a licensed contractor to perform any repairs, maintenance or other work on unit.
- If during the Limited or Extended Warranty Period, Covered or Extended Coverage Equipment fails because of a manufacturing defect, Company will provide a free replacement part to the Owner through a licensed service contractor.



Limited Warranty, Cont.

Limitations of Liability

- General Filters, Inc. makes no express warranties other than the warranty specified above.
- The implied warranties of merchantability and fitness for a particular purpose are limited to the duration listed.
- The manufacturer assumes no liability in connection with the installation or use of the product, except as stated in this Limited Warranty.
- The manufacturer will in no event be liable for incidental or consequential damages.
- This limited warranty gives you specific legal rights, and you may also have other rights which vary from state to state. Some states do not allow either limitations on implied warranties, or exclusions from incidental or consequential damages, so the above exclusion and limitation may not apply to you.

Questions

- Any questions pertaining to this limited warranty should be addressed to the manufacturer. (U.S.A.: The manufacturer has elected not to make available the informal dispute settlement mechanism which is specified in the Magnuson-Moss Warranty Act.)

The rest of this page left intentionally blank.



HUMIDIFICATEUR À DÉRIVATION VENTILÉE

1042 SÉRIE

INSTALLATEUR : VEUILLEZ REMPLIR ET POSTER LA CARTE DE GARANTIE UNE FOIS L'INSTALLATION TERMINÉE. LAISSER LES DIRECTIVES D'INSTALLATION AU PROPRIÉTAIRE DE LA MAISON.

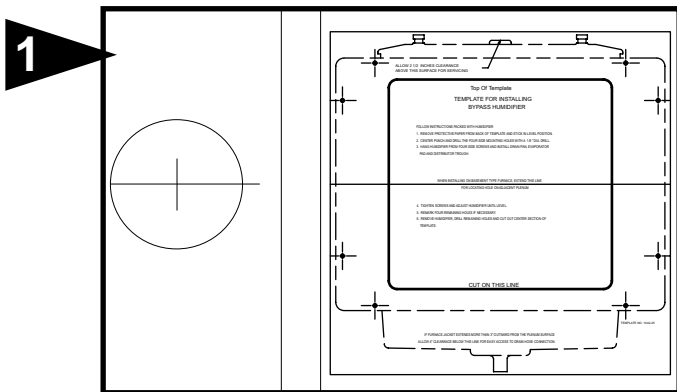
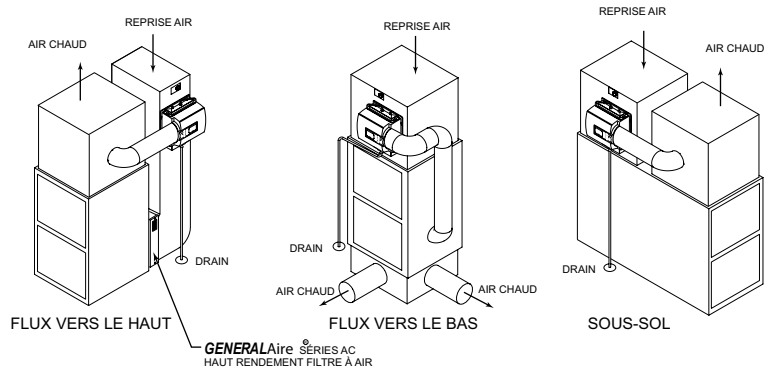
POUR UNE INSTALLATION SUR LA SURFACE VERTICALE DU PLÉNUM DE N'IMPORTE QUELLE FOURNAISE À AIR CHAUD PROPULSÉ

PRÉCAUTION : L'installateur doit être un technicien qualifié et expérimenté. Couper l'alimentation électrique avant de commencer l'installation. Ne pas installer l'appareil dans un endroit où la température peut descendre sous 0 °C (32 °F) ou si la température du plénum dépasse 93 °C (200 °F). Lors d'un branchement à un circuit de ventilateur à plusieurs vitesses, voir l'étape 6D.

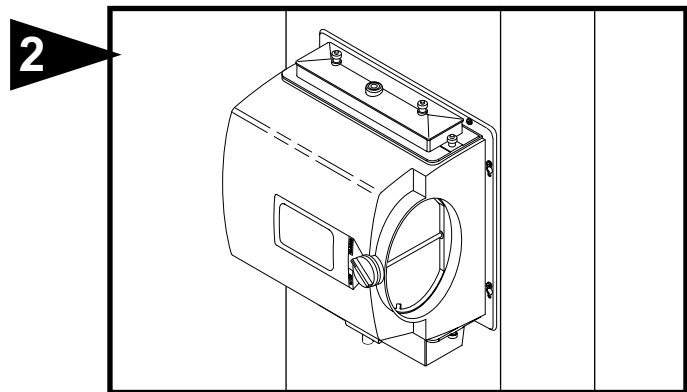
INSTALLATION: L'humidificateur devrait être monté avec le débouché de 6 po à gauche ou à droite, en inversant le boîtier et les positions de la goulotte du distributeur et du bac de vidange. L'humidificateur fournit le même rendement, qu'il soit installé sur un plénum d'air chaud ou sur un plénum de reprise d'air. Voir les Installations Typiques.

MATÉRIAUX ADDITIONNELS POUVANT ÊTRE REQUIS :

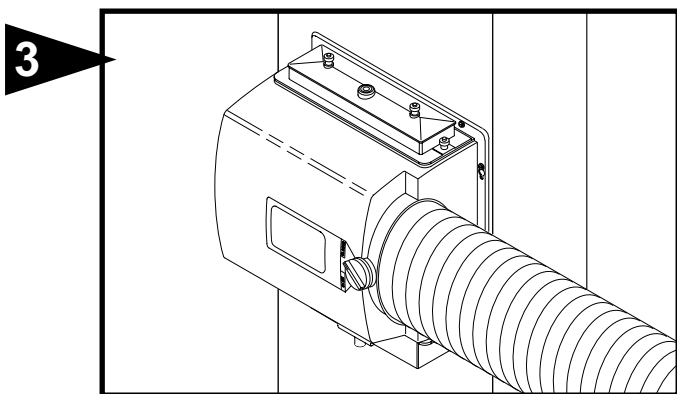
1. Tube d'alimentation en plastique de 1/4 po de diamètre ou tube d'alimentation en cuivre de 1/4 po pour les applications pour eau chaude
2. Tuyau de dérivation galvanisé de 15,2 cm (6 po)
3. fil électrique et serre-fils
4. Commutateur de pression d'air (G.F. modèle n° 12500 suggéré)
5. Relais Ampèremétrique (G.F. modèle n° GA50 suggéré)



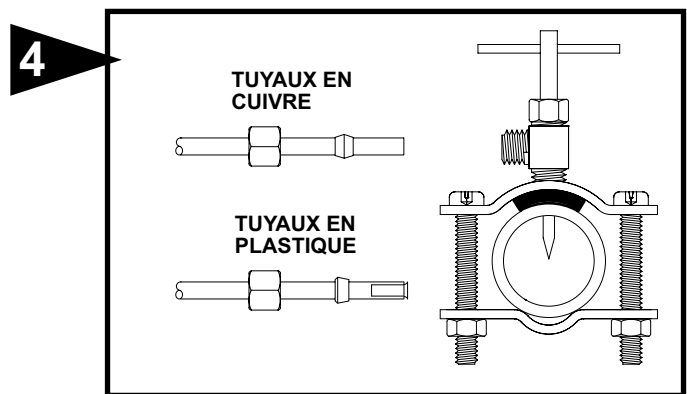
Sélectionner un emplacement sur la surface verticale d'un plénum d'air chaud ou de retour d'air pour monter l'humidificateur. Pour les plénums de 9 1/2 po à 15 po, utiliser la plaque adaptatrice 1040AD et les 5 vis, 3 vis en haut (modèle DM). Mettre la matrice de montage en place en s'assurant qu'elle soit à niveau. Ne pas installer l'humidificateur ou le tuyau de dérivation de 15 cm (6 po) à l'endroit où l'extrémité de la plaque d'obturation d'un serpentín refroidisseur pourra restreindre le débit d'air vers l'humidificateur. Prolonger la ligne horizontale depuis le milieu du gabarit jusqu'à la chambre à air voisine. Marquer un cercle de 6 po à une distance de 10 à 15 po du côté de l'humidificateur, sur la ligne centrale du boîtier, à l'aide d'un collier de raccordement pour guider. Découper la



Insérer quatre vis autotaraudeuses dans les trous de montage latéral jusqu'à ce que les vis dépassent d'env. Suspendre l'humidificateur des quatre vis latérales. Ajuster l'humidificateur jusqu'à ce qu'il soit d'équerre et serrer les quatre vis. Insérer quatre vis autotaraudeuses dans les trous de montage. Resserrer les 8 vis. Installer le plateau de récupération, l'évaporateur et le distributeur.



Installer le collier de raccordement. Connecter le tuyau de dérivation au collier et au boîtier de l'humidificateur. En utilisant les trous du haut et du bas de l'ouverture de dérivation de l'humidificateur, le visser au boîtier de l'humidificateur.



Monter le robinet-vanne à étrier autotaraudeur sur un tuyau d'eau chaude ou d'eau froide. Un montage latéral ou sur le dessus est idéal pour éviter un engorgement causé par les sédiments du tuyau. Connecter un tuyau d'un diam. ext. de 6 mm (1/4 po) au robinet-vanne à étrier. Les tuyaux en cuivre exigent un écrou à compression et un manchon en laiton. Les tuyaux en plastique exigent un insert en laiton à l'intérieur des tuyaux et un manchon en plastique à l'extérieur avec un écrou à compression. **REMARQUE : NE PAS UTILISER DE TUYAUX EN PLASTIQUE AVEC DE L'EAU CHAUDE OU SUR UNE SURFACE DE CONTACT CHAUDE DE PLÉNUM OU DE CONDUIT. L'INSTALLATION DE CE ROBINET-VANNE À ÉTRIER DOIT RESPECTER OU DÉPASSER LES EXIGENCES DES CODES LOCAUX ET AUTRES ORDONNANCES.**

INSTRUCTIONS D'INSTALLATION POUR LE ROBINET-VANNE À ÉTRIER

Tuyau en cuivre

1. Rétracter la tige à perforation dans le corps de la vanne en tournant la poignée dans le sens horaire.
2. Visser le corps de la vanne dans le support supérieur et serrer.
3. Placer le joint d'étanchéité en caoutchouc par-dessus la tige de perforation.
4. Assembler le robinet-vanne à étrier par-dessus le tuyau en cuivre en utilisant les vis écrous et supports inférieurs fournis.
5. Serrer les vis de façon égale et ferme. Les supports doivent être parallèles.
6. Terminer la connexion de compression vers la sortie du robinet-vanne à étrier.
7. Tourner la poignée dans le sens horaire pour percer le tuyau et fermer le robinet-vanne à étrier.
8. Tourner la poignée dans le sens antihoraire pour ouvrir le robinet-vanne à étrier et le laisser ouvert pendant quelques secondes pour évacuer la saleté du tuyau et de la tuyauterie.

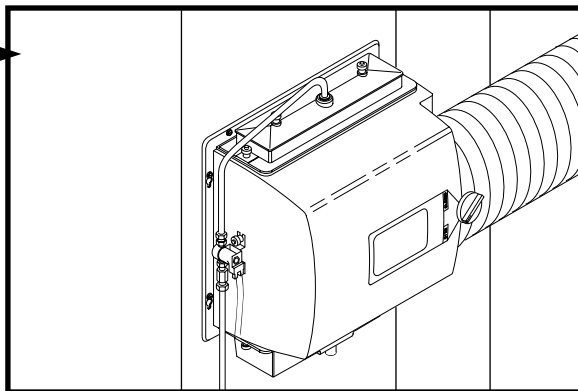
Tuyau en acier, en laiton ou en plastique dur.

1. Fermer l'alimentation en eau et vidanger le tuyau.
2. Tourner la poignée dans le sens horaire pour exposer la tige de perforation et fermer le robinet-vanne à étrier.
3. Placer le joint d'étanchéité en caoutchouc par-dessus la tige de perforation.
4. Percer un trou de 3 mm (1/8 po) avec une perceuse à manivelle pour éviter les risques de choc électrique.
5. Assembler le robinet-vanne à étrier par-dessus le tuyau en acier, laiton ou plastique dur en utilisant les vis, écrous et supports inférieurs fournis.
6. Serrer les vis de façon égale et ferme. Les supports doivent être parallèles.
7. Terminer la connexion de compression vers la sortie du robinet-vanne à étrier.
8. Tourner la poignée dans le sens antihoraire pour ouvrir le robinet-vanne à étrier et le laisser ouvert pendant quelques secondes pour évacuer la saleté du tuyau et de la tuyauterie.

Raccords de tuyau filetés

1. Tourner la poignée dans le sens horaire pour exposer la tige de perforation et fermer le robinet-vanne à étrier.
2. Sceller le filetage du corps de la vanne avec un scellant ou du ruban adhésif.
3. Installer la vanne dans un raccord NPT de 3 mm (1/8 po).
4. Terminer la connexion de compression vers la sortie du robinet-vanne à étrier.
5. Tourner la poignée dans le sens antihoraire pour ouvrir le robinet-vanne à étrier et le laisser ouvert pendant quelques secondes pour évacuer la saleté du tuyau et de la tuyauterie.

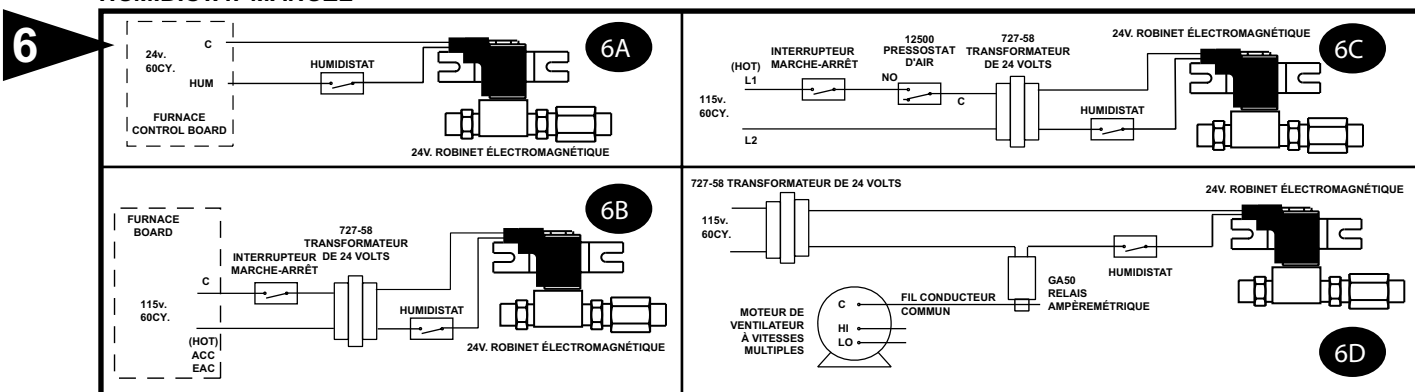
5



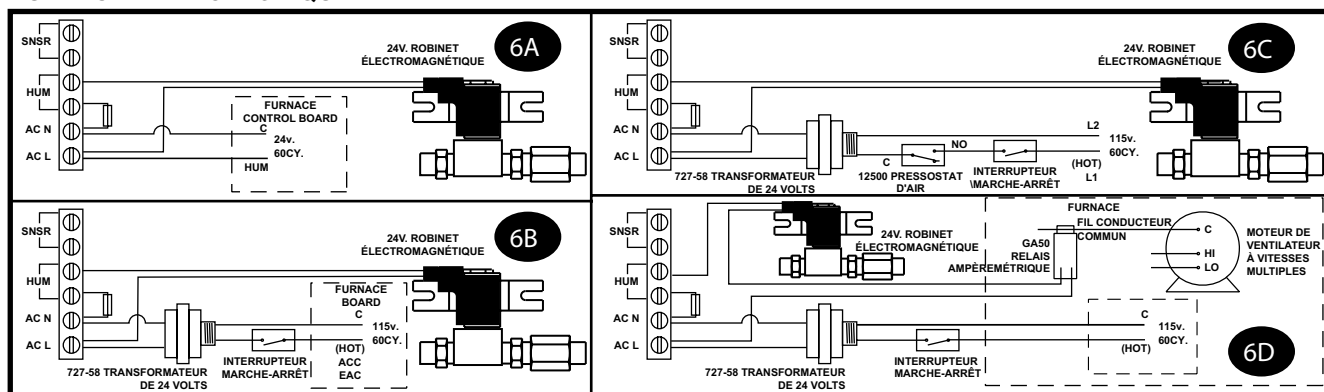
Attacher la vanne électromagnétique sur le côté du boîtier de l'humidificateur avec la flèche de débit orientée vers le haut, à l'aide des vis ailées fournies. Ne pas inverser les raccords en laiton car le robinet ne fonctionnera pas adéquatement si l'écoulement se fait en sens inverse. Monter le tuyau du distributeur de façon qu'il se dirige vers l'ouverture centrale du couvercle du bac de distributeur. Raccorder le tuyau d'alimentation d'eau de 1/4 po au filtre en laiton de l'entrée du solénoïde.

AUCUN TUYAU EN PLASTIQUE NE DOIT ENTRER EN CONTACT AVEC DES CONDUITS OU DES SURFACES DE PLÉNUM CHAUDS. POUR LES TUYAUX EN PLASTIQUE, UTILISER LE SUPPORT DE TUYAU FOURNI.

HUMIDISTAT MANUEL



HUMIDISTAT ÉLECTRONIQUE



INSTRUCTIONS POUR LE CÂBLAGE DE L'HUMIDIFICATEUR
VÉRIFIER AVEC LES AUTORITÉS LOCALES POUR VOUS INFORMER DE LA RÉGLEMENTATION.

FIG. 6A, 6B AVEC CARTE DE CIRCUIT IMPRIMÉ

Sur les fournaies équipées des bornes de sortie HUM, ACC ou EAC, vérifier la tension de sortie pour déterminer si les bornes sont de 24 V ou 115 V.

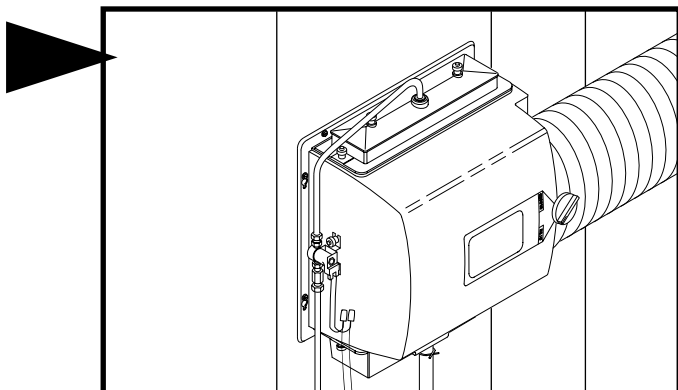
FIG. 6C AVEC MOTEUR DE VENTILATEUR À DEUX VITESSES

Sur les fournaies équipées d'un ventilateur à deux vitesses, l'humidificateur et un pressostat d'air modèle 12500 peuvent être raccordés à une source d'alimentation électrique continue de 115 volts. Installer le commutateur marche/arrêt et le pressostat d'air en série avec le transformateur primaire sur le fil chaud ou le fil noir. Le pressostat d'air détectera le fonctionnement de la fournaise et fournira l'alimentation électrique nécessaire à l'humidificateur.

FIG. 6D AVEC MOTEUR DE VENTILATEUR À DEUX VITESSES

Sur les chaudières munies d'un ventilateur deux vitesses, l'humidificateur peut être branché sur une source d'alimentation continue 115 volts. Installer l'interrupteur Marche/Arrêt en série avec le transformateur primaire sur le fil chaud ou le fil noir. Installer le relais ampèremétrique GA50 en série avec le circuit de l'humidostat. Le relais ampèremétrique détectera le fonctionnement de la chaufferette et fournira l'alimentation à l'humidificateur en conséquence.

REMARQUE : TOUT LE CÂBLAGE DOIT RESPECTER LES CODES ÉLECTRIQUES LOCAUX.

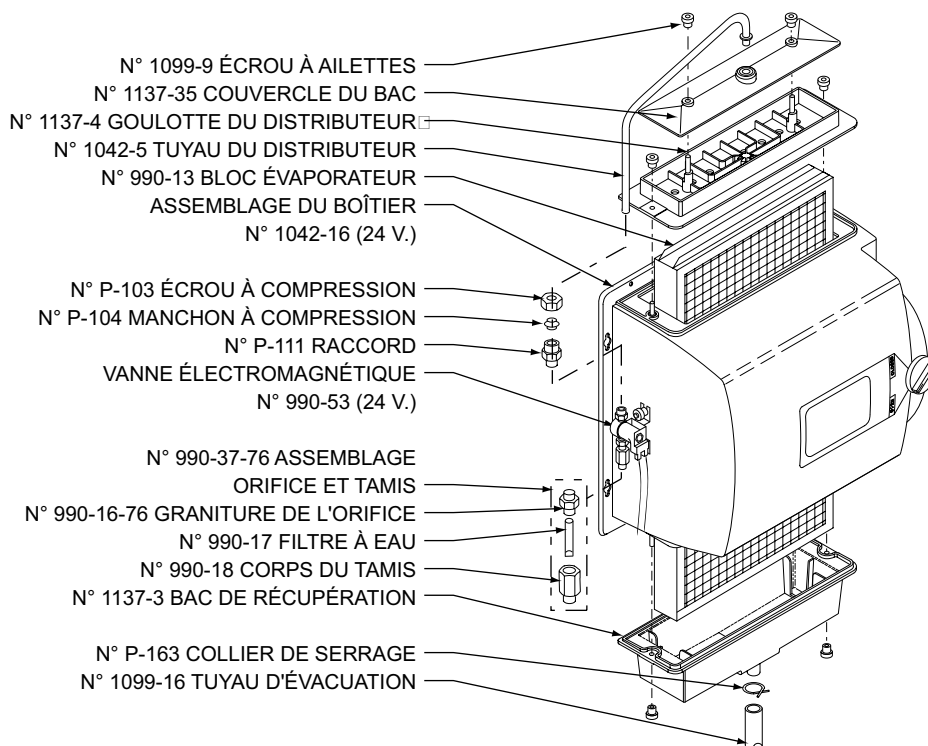


8

Ouvrir l'alimentation en eau et vérifier le fonctionnement de l'humidificateur. Régler l'humidistat en mode de demande. Lorsque la fournaise est éteinte, la vanne électromagnétique doit être fermée. Démarrer la fournaise, la vanne électromagnétique devrait s'ouvrir lorsque le circuit du ventilateur ou du brûleur est activé. Vérifier le débit d'eau passant par la goulotte du distributeur et le bloc évaporateur. L'orifice standard 990-16-76 fournira environ 3,5 gal/h d'eau à une pression de ligne d'eau de 60 psi. Pour des pressions d'eau basses (20 à 40 psi) un plus grand orifice 990-16-75 est disponible pour fournir le même débit. Laisser l'humidistat au réglage recommandé.

Raccorder le boyau de vidange au bec de 5/8 po sur l'humidificateur à l'aide du collier de durite fourni. Acheminer un boyau d'un diam. int. de 1,6 cm (5/8 po) vers un drain adéquat, comme un drain de sol, d'égout ou d'évier de lavage. S'assurer que le boyau est en pente continue et n'est déformé en aucun point.

LISTE DES PIÈCES POUR L'HUMIDIFICATEUR



GARANTIE LIMITÉE

Cet humidificateur, s'il est enregistré correctement en retournant la carte d'enregistrement de la garantie au fabricant, est garanti au consommateur contre tout défaut de matériaux et de main d'œuvre pour une période de cinq ans à partir de la date d'installation. Les blocs évaporateur ou les plaques ne sont pas couverts par cette garantie limitée ou par toute autre garantie. Toute autre pièce défectueuse sera réparée sans frais, hormis les coûts de désinstallation, de réinstallation et de transport. Pour obtenir un service de réparation avec cette garantie limitée, le consommateur doit envoyer la pièce défectueuse ou l'humidificateur au complet au fabricant.

IL N'Y A AUCUNE GARANTIE EXPRESSE COUVRANT CE PURIFICATEUR D'AIR EN DEHORS DES DISPOSITIONS STIPULÉES CI-DESSUS, LES GARANTIES TACITES QUANT À LA QUALITÉ MARCHANDE ET À L'APTITUDE À UN EMPLOI PARTICULIER SONT EXPRESSÉMENT EXCLUES. LE FABRICANT NE PEUT ÊTRE TENU RESPONSABLE POUR L'INSTALLATION OU L'UTILISATION DE CE PRODUIT, SAUF DE LA MANIÈRE INDIQUÉE DANS LA PRÉSENTE GARANTIE LIMITÉE. LE FABRICANT NE PEUT EN AUCUN CAS ÊTRE TENU RESPONSABLE POUR DES DOMMAGES ACCESSOIRES OU INDIRECTS.

Cette garantie limitée vous donne des droits légaux spécifiques et vous pouvez jouir d'autres droits qui varient d'une juridiction à l'autre. Certaines juridictions ne permettent pas de limites sur les garanties implicites ou d'exclusions pour les dommages accessoires ou indirects; les exclusions sus mentionnées peuvent donc ne pas s'appliquer dans votre cas.

Toute question relative à cette garantie limitée doit être soumise au fabricant. (É.-U. : Le fabricant a choisi de ne pas divulguer les termes de l'accord spécifiés dans le " Magnuson-Moss Warranty Act ".)

GENERAL FILTERS, INC.
NOVI, MICHIGAN 48375-1115
WWW.GENERALAIRE.COM

CANADIAN GENERAL FILTERS, LTD.
SCARBOROUGH, ONTARIO M1R3B7
WWW.CGFPRODUCTS.COM

SOINS ET ENTRETIEN

Votre humidificateur est conçu pour fournir une humidification d'appoint sans problèmes. Pour bénéficier d'un fonctionnement maximum, suivre les étapes de nettoyage ci-dessous à la fin de chaque saison froide !

1. Fermer l'alimentation en eau et en électricité de l'humidificateur.
2. Retirer le tuyau de distribution d'eau, le bac du distributeur, le tampon d'évaporateur et le bac de récupération. Le tampon d'évaporateur peut être enlevé du haut ou du bas de l'humidificateur. Nettoyer les dépôts excessifs de minéraux dans le bac du distributeur, le couvercle, le bac de récupération, et le boîtier du distributeur. Une solution moitié vinaigre, moitié eau aide à déloger les dépôts de minéraux.
3. Si le bloc évaporateur contient trop de dépôts de minéraux, le remplacer par un neuf " 990-13 ". Replacer le couvercle et le tuyau du distributeur à la position adéquate par dessus le bac du distributeur.
4. Dans les endroits riches en minéraux ou si la vanne électromagnétique est défaillante, déconnecter la ligne d'alimentation en eau de 6 mm (1/4 po) de la vanne électromagnétique. Retirer le corps de tamis en laiton (P.N. 990-18) de l'électrovanne. Retirer soigneusement le filtre à tamis (P.N. 990-17) du raccord de l'orifice (P.N. 990-16). Nettoyer les dépôts de minéraux de toutes les pièces. Si l'orifice est bloqué, on peut l'ouvrir en y insérant une petite aiguille. Réinsérer le filtre dans le raccord de l'orifice et visser le corps de tamis en laiton dans l'électrovanne.
5. Raccorder la conduite d'eau de 6 mm (1/4 po) à la vanne électromagnétique au besoin. Ouvrir l'alimentation en eau et vérifier tous les points de fuite. Le fonctionnement de l'appareil peut être vérifié en démarrant la fournaise. L'humidificateur fonctionne uniquement lorsque le ventilateur de la fournaise est en marche ou que le circuit du brûleur est activé. L'humidificateur est maintenant prêt à fonctionner.
6. Pendant la période d'été, fermer l'alimentation en eau et en électricité de l'humidificateur. Fermer l'amortisseur à air.

À LA TEMPÉRATURE EXTÉRIEURE	RÉGLAGE RECOMMANDÉ
-20 F -29 C	15%
-10 F -23 C	20%
0 F -18 C	25%
+10 F -29 C	30%
+20 F -7 C	35%
+30 F -1 C	40%

FONCTIONNEMENT DE L'HUMIDIFICATEUR

Le principe de fonctionnement de l'humidificateur est basé sur la façon la plus efficace et la plus économique d'évaporer l'eau dans l'air. L'humidificateur utilise uniquement 2,5 watts de courant électrique lorsqu'il fonctionne, c'est-à-dire moins que la plus petite ampoule électrique de votre maison. La chaleur nécessaire pour l'évaporation de l'eau est produite par la fournaise.

L'alimentation en eau vers l'humidificateur est contrôlée par la vanne électromagnétique. L'humidistat connecté en série avec la vanne électromagnétique fournit un contrôle de basse tension à l'humidificateur. Cet hygromètre est conçu pour un montage mural dans l'aire de séjour ou un montage en surface sur la gaine de reprise. CARACTÉRISTIQUES ÉLECTRIQUES : 24 V c.a. / 60 Hz. NE PAS RÉGLER L'HUMIDITÉ RELATIVE TROP HAUT PENDANT LA PÉRIODE HIVERNALE. TROP D'HUMIDITÉ PEUT ENTRAÎNER DE LA CONDENSATION SUR LES VITRES OU SUR LES MURS. CONSULTER LES RÉGLAGES RECOMMANDÉS, INDIQUÉS DANS LE MANUEL DU PROPRIÉTAIRE DE L'HYGROSTAT.

L'eau s'écoule par une crépine, est mesurée par un orifice pour fournir la quantité adéquate et alimente le bloc évaporateur par la goulotte du distributeur. Environ 5,66 mètres cubes par minute st dérivé du plénum d'air chaud, passe par l'humidificateur et est renvoyé au plénum d'air froid. L'humidité est évaporée dans l'air en passant par le bloc évaporateur.

Les minéraux ne sont pas soufflés dans le courant d'air, comme c'est le cas avec les humidificateurs à pulvérisation; ils restent sur le bloc évaporateur où un fort pourcentage est évacué avec les eaux usées.

Lorsque l'humidificateur est installé et fonctionne, aucun réglage n'est nécessaire sauf le réglage du niveau voulu d'humidification par le bouton de commande sur l'humidistat. Laisser le bouton de l'humidificateur à la position "HI" ou "WINTER".

Pour éteindre l'humidificateur, fermer la vanne d'alimentation en eau, mettre hors tension et fermer l'humidistat. Si la chaudière sert au refroidissement ou à la ventilation en été, régler l'amortisseur d'air sur "LOW" ou "SUMMER".