

GA4238 REPLACEMENT RELAY KIT

WARNING: DISCONNECT ELECTRICAL POWER TO HUMIDIFIER BEFORE STARTING THIS INSTALLATION.

INSTRUCTIONS FOR GF MODELS 1000 & 1137 W/ 24 V. SOLENOID VALVE, HONEYWELL MODEL HE365B 1004 & RP MODEL 700 & thier OEM spin-offs

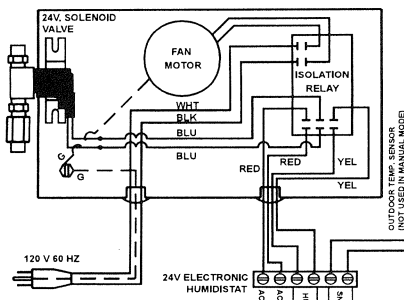
REFER TO WIRING DIAGRAM 1

1. Disconnect and remove failed circuit board relay.
2. Using two 1 3/4" long screws, install new relay onto humidifier. Orient relay the same as the failed relay. Do not over-tighten screws and strip screw bosses,
3. Reconnect six connector harness such that the yellow leads connect to the terminals marked "HUMIDISTAT". Bring yellow and red (for electronic humidistat only) leads down through strain relief. Use harness with six connector molex provided for Honeywell HE365B 1004
4. Connect blue leads to solenoid valve(1137 Only)!. Connect fan motor into terminals marked "FAN". Plug in power cord be certain white cord lead is plugged into terminal marked "N" and black cord lead into terminal marked "L" above the marking "LINE VOLTAGE". Make sure connections are well insulated with crimp connectors or wire nuts. Make sure wires can not interfere with fan blades.
5. Test run humidifier. Cycle humidistat to make sure it is controlling humidifier. Check for proper fan motor and solenoid valve operation.

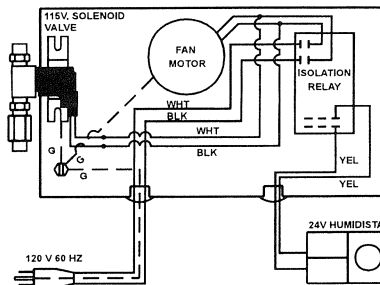
INSTRUCTIONS FOR GF MODELS 1137 W/ 115 V. SOLENOID VALVE & 1137R

REFER TO WIRING DIAGRAM 2 & 3

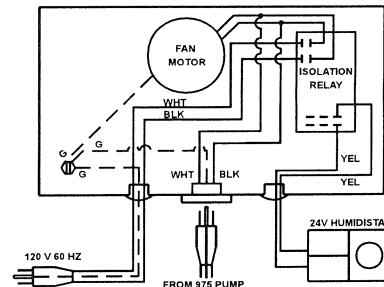
1. Disconnect and remove old relay and mounting bracket if so equipped.
2. Using one 5/8" long screw, one 1 3/4" long screw and two circuit board spacers provided, install new relay onto humidifier. Terminals labeled "LINE VOLTAGE" and "FAN" should be at the top of the relay. Do not over-tighten screws and cause printed circuit board to bend.
3. Connect six connector harness such that the yellow leads connect to the terminals marked "HUMIDISTAT". Bring yellow and red (for electronic humidistat only) leads down through hole in wiring bracket. Install plastic strain relief and wire nut to humidistat wires.
4. Connect black leads to fan motor and solenoid valve (115v. Only) or pump outlet (1137-R Only) and plug into terminals marked "FAN". Crimp 3/16" terminal connectors provided onto power cord and plug white cord lead into terminal marked "N" and black cord lead into terminal marked "L" above the marking "LINE VOLTAGE". Make sure connections are well insulated with crimp connectors or wire nuts. Make sure wires can not interfere with fan blades.
5. Test run humidifier. Cycle humidistat to make sure it is controlling humidifier. Check for proper fan motor and solenoid valve (1137) operation. Check for pump operation (1137-R).



WIRING DIAGRAM 1: GF MODELS 1000 & 1137 W/ 24 V. SOLENOID VALVE, HONEYWELL MODEL HE365B 1004 & RP MODEL 700 & thier OEM spin-offs



WIRING DIAGRAM 2: GF MODEL 1137 W/ 115 V. SOLENOID VALVE



WIRING DIAGRAM 3: GF MODEL 1137-R

GENERAL FILTERS, INC.
43800 GRAND RIVER AVE.
NOVI, MI 48375

CANADIAN GENERAL FILTERS, LTD.
39 CROCKFORD BLVD.
SCARBOROUGH, ONTARIO, CANADA (TORONTO)