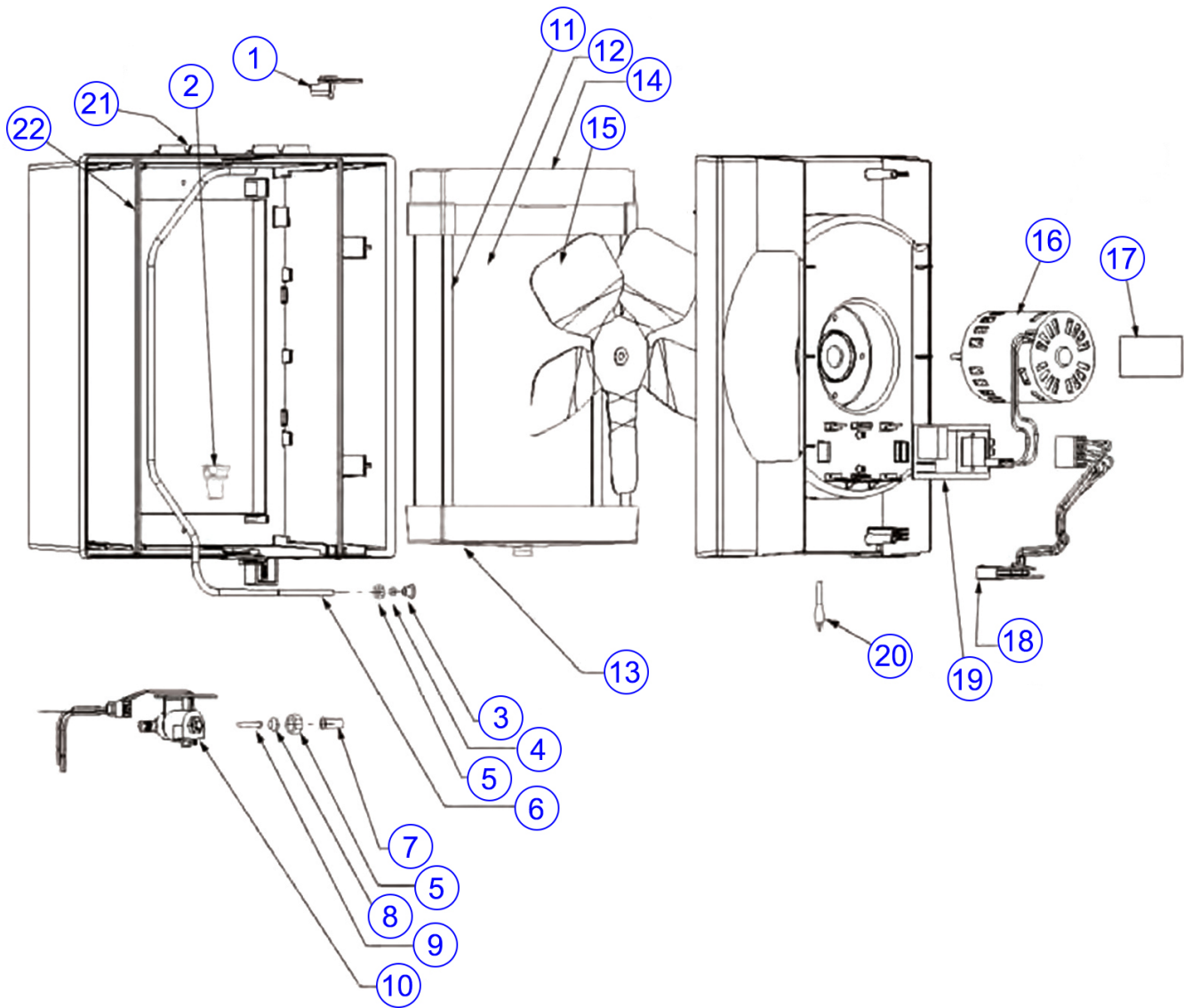


# Elite Model 1000 Replacement Parts



Item	Qty. Req'd	GFI Number	Part Description
1	1	<a href="#">7561</a>	<a href="#">900 - 9 Nozzle</a>
2	1	<a href="#">7562</a>	<a href="#">900 - 10 Spout</a>
3	1	<a href="#">7580</a>	<a href="#">GA4231 Orifice (Yellow)</a>
4	1	<a href="#">7568</a>	<a href="#">P190 Compression Sleeve (Plastic)</a>
5	2	<a href="#">7565</a>	<a href="#">P101 Compression Nut</a>
6	1	<a href="#">7563</a>	<a href="#">GA4235 Distributor Tube</a>
7	1	<a href="#">7567</a>	<a href="#">P189 Brass Insert Tube</a>
8	1	<a href="#">7566</a>	<a href="#">P102 Compression Sleeve (Copper)</a>
8	1	<a href="#">7568</a>	<a href="#">P190 Compression Sleeve (Plastic)</a>
9	1	<a href="#">7564</a>	<a href="#">GA4004 Strainer screen</a>
10	1	<a href="#">7222</a>	<a href="#">GA4045 Solenoid Valve</a>
11	2	<a href="#">7941</a>	<a href="#">900 - 40 Pad Rail</a>
12	1	<a href="#">7919</a>	<a href="#">GA19 Replacement Vapor Pad</a>
13	1	<a href="#">7571</a>	<a href="#">900 - 14 Drain Pan</a>
14	1	<a href="#">7570</a>	<a href="#">900 - 15 Distributor Trough</a>
15	1	<a href="#">7582</a>	<a href="#">GA4247 Fan Blade</a>

Item	Qty. Req'd	GFI Number	Part Description
16	1	<a href="#">7584</a>	<a href="#">GA4237 Motor</a>
17	1	<a href="#">7578</a>	<a href="#">900 - 16 Name Plate</a>
18	1	<a href="#">7579</a>	<a href="#">1000 - 11 Wiring Harness</a>
19	1	<a href="#">7586</a>	<a href="#">GA4238 Relay Circuit Board</a>
20	1	<a href="#">7346</a>	<a href="#">1137 - 31 Power Supply Cord</a>
21	1	<a href="#">7950</a>	<a href="#">950 - 1 Chassis</a>
22	2	<a href="#">7583</a>	<a href="#">1000 - 1 Baffle</a>

## Parts Not Shown

	1	<a href="#">7585</a>	<a href="#">1000 - 13 Front Cover</a>
			<a href="#">MHX3 Manual Control, Duct Mount Humidistat (1000M, 1000XM)</a>
	1	<a href="#">7037</a>	
	1	<a href="#">7053</a>	<a href="#">WMH3 Wall Mount Housing</a>
	1	<a href="#">7050</a>	<a href="#">GFX3 Automatic Digital Humidstat (1000, 1000A)</a>
	1	<a href="#">7016</a>	<a href="#">GCV 3412 Code Valve (1000, 1000A)</a>