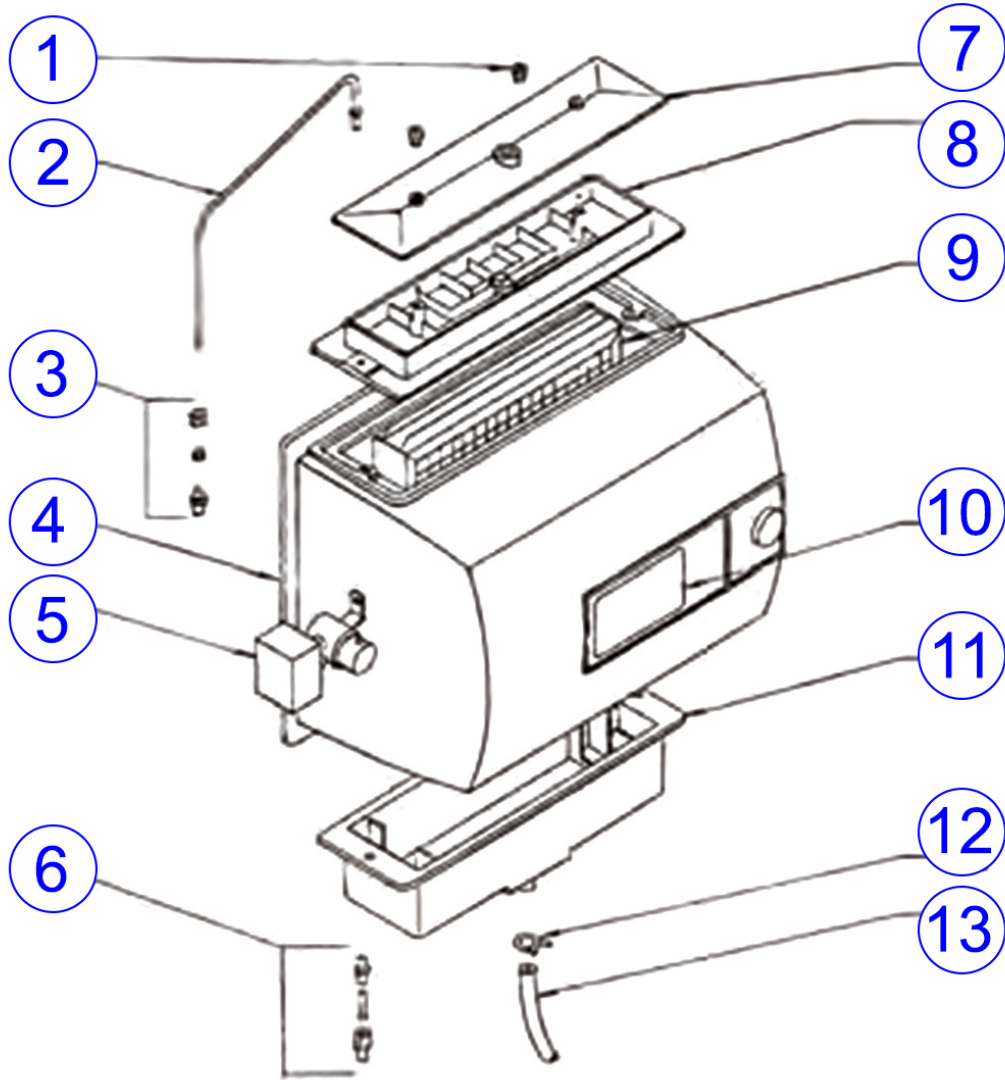


Model 1042 Replacement Parts



Item	Qty. Req'd	GFI Number	Part Description
1	8	7043	1099 - 9 Thumb Nut
2	1	7364	1042 - 5 Distributor Tube For 1042 L/LH
3	1	7158	P103, 104, 111 Connector & Fittings
4	1	7363	1042 - 4 Cabinet Assembly - 115V
4	1	7368	1042 - 16 Cabinet Assembly - 24V
5	1	7013	990 - 52 Solenoid Valve Assembly - 115V (For 1042) (Includes Fittings)
5	1	7014	990 - 53 Solenoid Valve Assembly - 24V (For 1042 L/LH) (Includes Fittings)
6	1	7008	990 - 37 - 76 Orifice And Strainer Assembly (Std. Water Pressure 40 - 120 PSI)
6	1	7009	990 - 37 - 75 Orifice And Strainer Assembly (Low Water Pressure 20 - 40 PSI)
6	1	7005	990 - 17 Strainer
7	1	7332	1137 - 35 Trough Cover Assembly
8	1	7333	1137 - 4 Distributor Trough
9	1	7002	990 - 13 Evaporator Pad 9 3/4" W x 11 3/4" H
10	1	7366	1042 - 10 Inspection Name Plate
11	1	7347	1137 - 3 Drain Pan
12		7162	P163 Hose Clamp
13	1	7046	1099 - 16 Drain Tube (15' Of 5/8" I.D.)

Parts Not Shown

	1	8022	800 - UST Self - Tapping Saddle Valve Kit
	1	7037	MHX3 Manual Control, Duct Mount Humidistat (LH Only)
	1	7053	WMH3 Wall Mount Housing
	1	7118	727 - 58 24V Transformer (12VA)
	1	7367	1042 - 15 Parts Bag (1042, L And LH)
	1	7373	1042 - 80 Parts Bag With Solenoid 24V
	6	7345	1137 - 15 Mounting Stud
	4	7140	40 - 7 Speed Nut
		8035	8035 Humidex Tablets
	1	7359	1042 - 11 Damper Knob
	1	7358	1042 - 3 Damper Ass. (Includes Washer & 990 - 69 Spring)