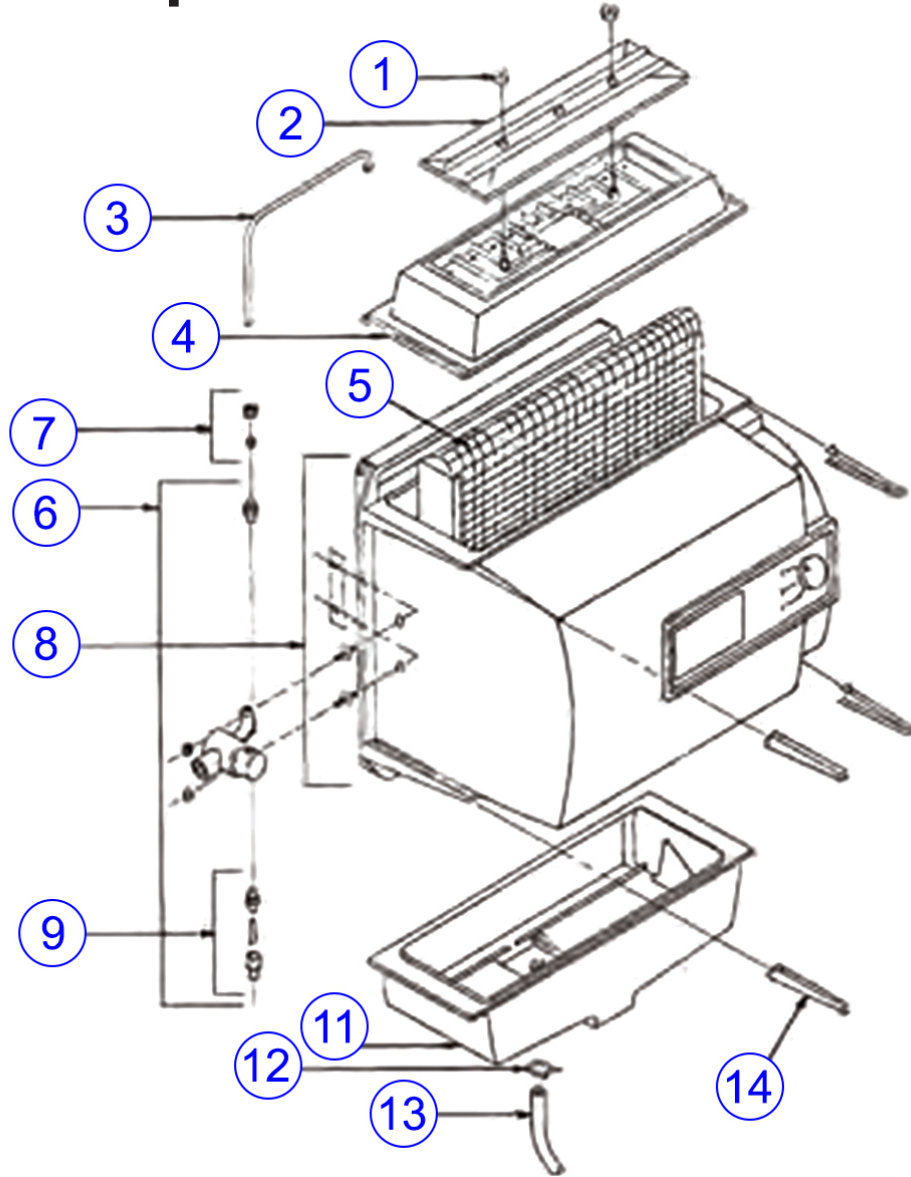


Model 1099 Replacement Parts



Item	Qty. Req'd	GFI Number	Part Description
1	3/4	7043	1099 - 9 Thumb Nut (1099 - R: 3 Req'd; 1099, 1099 - L/LH: 4 Req'd)
2	1	7042	1099 - 8 Distributor Trough Cover Assembly
3	1	7045	1099 - 12 Distributor Tube (1099, 1099 - L/LH)
	1	7056	1099 - 26 Distributor Tube (1099 - R)
4	1	7039	1099 - 2 Distributor Trough
5	1	7047	1099 - 20 Evaporator Pad 14 1/4" W x 12" H
6	1	7051	1099 - 41 Solenoid Valve Assembly - 115V
6	1	7052	1099 - 42 Solenoid Valve Assembly - 24V
7	1	7158	P103, 104, 111 Connector & Fittings
8	1	7049	1099 - 24 Cabinet Assembly
9	1	7009	990 - 37 - 75 Orifice And Strainer Assembly (Std. Water Pressure 20 - 40 PSI)
	1	7011	990 - 37 - 74 Orifice And Strainer Assembly (Low Water Pressure 20 - 40 PSI)
10	1	6016	975 - 35 Distributor Tube Bracket
11	1	7040	1099 - 3 Drain Pan
12	1	7162	P163 Hose Clamp (For 1099 - 16)
13	1	7046	1099 - 16 Drain Tube (15' Of 5/8" I.D.)
14	4	7041	1099 - 7 Slide Clip

Parts Not Shown

	1	7048	1099 - 23 7" Stub Collar
	1	8022	800 - UST Self - Tapping Saddle Valve Kit
	1	7118	727 - 58 24V Transformer (12VA)
	1	7044	1099 - 39 Parts Bag
	1	7005	990 - 17 Strainer
	1	7160	P111 Connector Only
	1	7037	MHX3 Manual Control, Duct Mount Humidistat (LH Only)
	1	7053	WMH3 Wall Mount Housing
	1	8035	8035 Humidex Tablets