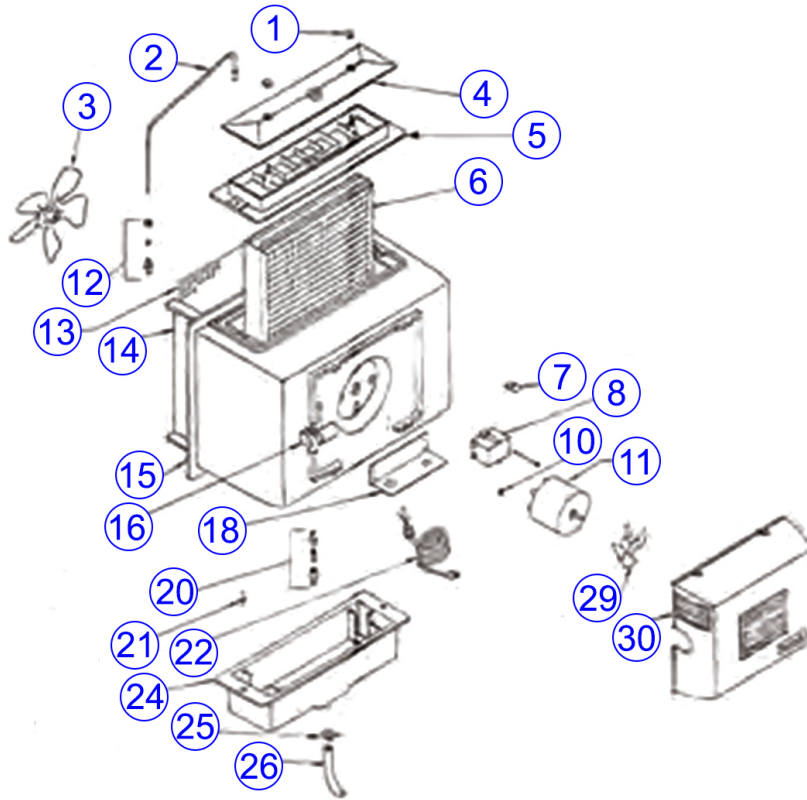


Model 1137 Replacement Parts



Item	Qty. Req'd	GFI Number	Part Description
1	6	7043	1099 - 9 Thumb Nut
2	1	7330	1137 - 24 Distributor Tube
3	1	7331	1137 - 9 Fan Blade
4	1	7332	1137 - 35 Trough Cover Assembly
5	1	7333	1137 - 4 Distributor Trough
6	1	7002	990 - 13 Evaporator Pad 9 3/4" W x 11 3/4" H
7	8	7140	40 - 7 Speed Nut
8	1	7586	GA4238 Relay Circuit Board
10	4	7336	1137 - 44 Fan Motor Grommet
11	1	7337	1137 - 8 Fan Motor
12	1	7158	P103, 104, 111 Connector & Fittings
13	1	7338	1137 - 20 Fan Guard
14	1	7339	1137 - 2 Fan Shroud
15	1	7340	1137 - 38 Cabinet Assembly, 1137
16	1	7341	1137 - 17 Solenoid Valve 120V for Model 1137 July 2006 and Older.*
16	1	7014	990 - 53 Solenoid Valve 24V
17	1	7342	1137 - 37 Cabinet Assembly, 1137 - R
18	1	7343	1137 - 7 Wiring Bracket
19	1	7344	1137 - 7R Wiring Bracket
20	1	7008	990 - 37 - 76 Orifice and Strainer Assembly (Std. Water Pressure 40 - 120 PSI)
	1	7009	990 - 37 - 75 Orifice and Strainer Assembly (Low Water Pressure 20 - 40 PSI)
21	4	7345	1137 - 15 Mounting Stud
22	1	7346	1137 - 31 Power Supply Cord
23	1	6016	975 - 35 Distributor Tube Bracket
24	1	7347	1137 - 3 Drain Pan
25	1	7162	P163 Hose Clamp
26	1	7046	1099 - 16 Drain Tube (15' of 5/8" I.D.)
27	1	7348	1137 - 48 Drain Tube (2 - 1/2' of 5/8" I.D.)
28	1	7349	1137 - 18 Outlet Assembly
29	1	7350	1137 - 50 Cooling Fan
30	1	7351	1137 - 39 Front Cover Assembly, 1137

Parts Not Shown

	1	8022	800 - UST Self - Tapping Saddle Valve Kit
	1	7037	MHX3 Manual Control, Duct Mount Humidistat
	1	7053	WMH3 Wall Mount Housing
	1	7328	1137 - 23 Parts Bag
	1	7127	727 - 48 Lead Wire Assembly (10' of Low Voltage Wire w/ Terminals)
	1	8035	8035 Humidex Tablets

* In August 2006 1137's began using the more common 990 - 53, 24 - volt solenoid valve. Check side nameplate for build date or solenoid valve for voltage.