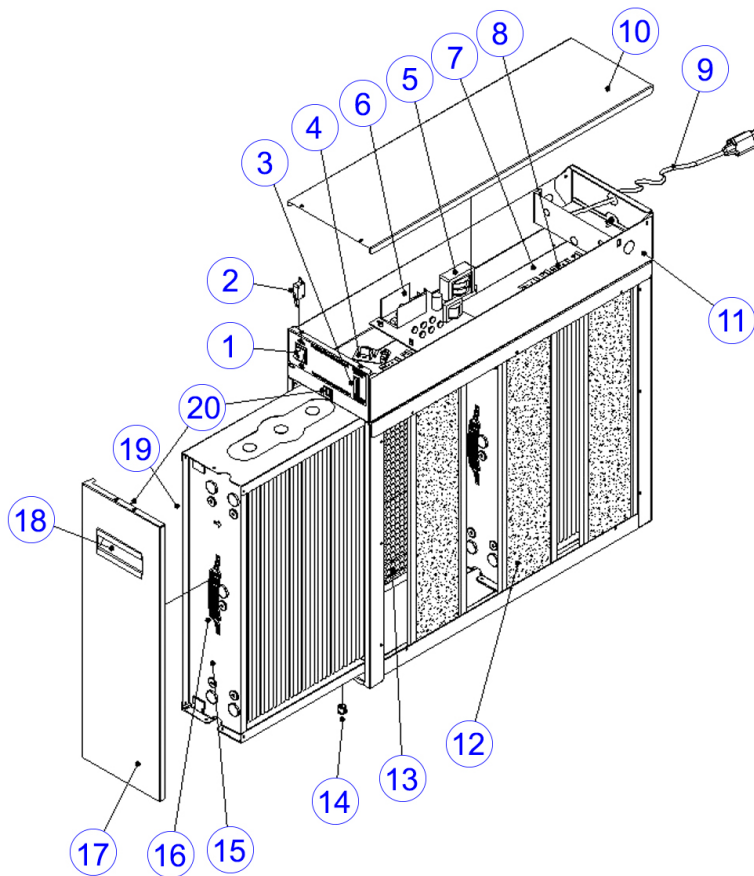


Model GA50A20 Replacement Parts



Item	Qty. Req'd	GFI Number	Part Description	GA50A		
				14	20	22
1	1	4750	R1 - 0205 Switch - ON/OFF (EAC14 - 01)	X	X	X
2	1	4751	R1 - 0202 Switch - Safety Interlock (EAC14 - 02)	X	X	X
3	1	4752	R1 - 0123 Indicator Light (EAC14 - 03)	X	X	X
4	1	4745	D1 - 0217 Air Proving Switch (EAC14 - 04)	X	X	X
5	1	4753	D1 - 053D Transformer - 24V (EAC14 - 05)	X	X	X
6	1	4740	D1 - 055D Power Control Board (EAC14 - 06)	X		
6	1	4747	D2 - 055D Power Control Board (EAC20 - 06)		X	X
7	1	4754	D1 - 0521 Contact Assembly (EAC14 - 07)	X		X
7	1	4772	D8 - 0521 Contact Assembly (EAC20 - 07)		X	
8	4	4755	R1 - 9925 Contact (EAC14 - 08)	X	X	X
9	1	4756	R1 - 062D Cord Assembly (Optional) (EAC14 - 09)	X	X	X
10	1	4757	D1 - 0509 Lid - Power Box (EAC14 - 10)	X	X	
10	1	4773	Lid Power Box (D0 - 0509) (EAC22 - 10)			X
11	1	4758	D1 - 0501 Power Box - Complete (EAC14 - 11) (EAC14 - 05)	X		X
11	1	4776	D8 - 0501 Power Box - Complete (EAC20 - 11)		X	
11	1	4774	Power Box Complete (02 - 0501) (EAC - 22 - 11)			X
12	1	4764	1156 - 3 Carbon Filters (Set Of 3) (EAC14 - 12)	X		
12	1	4744	1856 - 3 Carbon Filters (Set Of 3) (EAC20 - 12)		X	X
13	2	4763	R1 - 0855 Prefilter (EAC14 - 13)	X		
13	2	4743	R8 - 0855 Prefilter (EAC20 - 13)		X	
13	2	4782	R2 - 0855 Prefilter (EAC22 - 13)			X
14	1	4759	R1 - 0603 Cell Guide - Plastic (EAC14 - 14)	X	X	X
15	2	4762	D1 - 0400 Collecting Cell (EAC14 - 15)	X		
15	2	4742	D8 - 0400 Collecting Cell (EAC20 - 15)		X	
15	2	4780	D2 - 0400 Collecting Cell (EAC22 - 15)			X
16	2	4760	R1 - 0484 Cell Handle (EAC14 - 16)	X	X	X
17	1	4766	D1 - 0632 Cover Assembly (EAC14 - 17)	X		X
17	1	4777	D2 - 0632 Cover Assembly (EAC20 - 17)		X	
18	1	4767	R1 - 0634 Handle (EAC14 - 18)	X	X	X
19	1	4761	D1 - 0443 Ionizing Wire W/ Spring & Hook (EAC14 - 19)	X		
19	1	4741	D2 - 0443 Ionizing Wire W/ Spring & Hook (EAC20 - 19)		X	X
20	1	4768	R1 - 0636 Clip Set (EAC14 - 20)	X	X	X

Parts Not Shown

	1	4769	EAC14 - 21 Label - IMPORTANT	X	X	X
	1	4770	EAC14 - 22 Label - CLEANING	X	X	X
	1	4746	9900 DAX Cell Detergent 32oz.	X	X	X