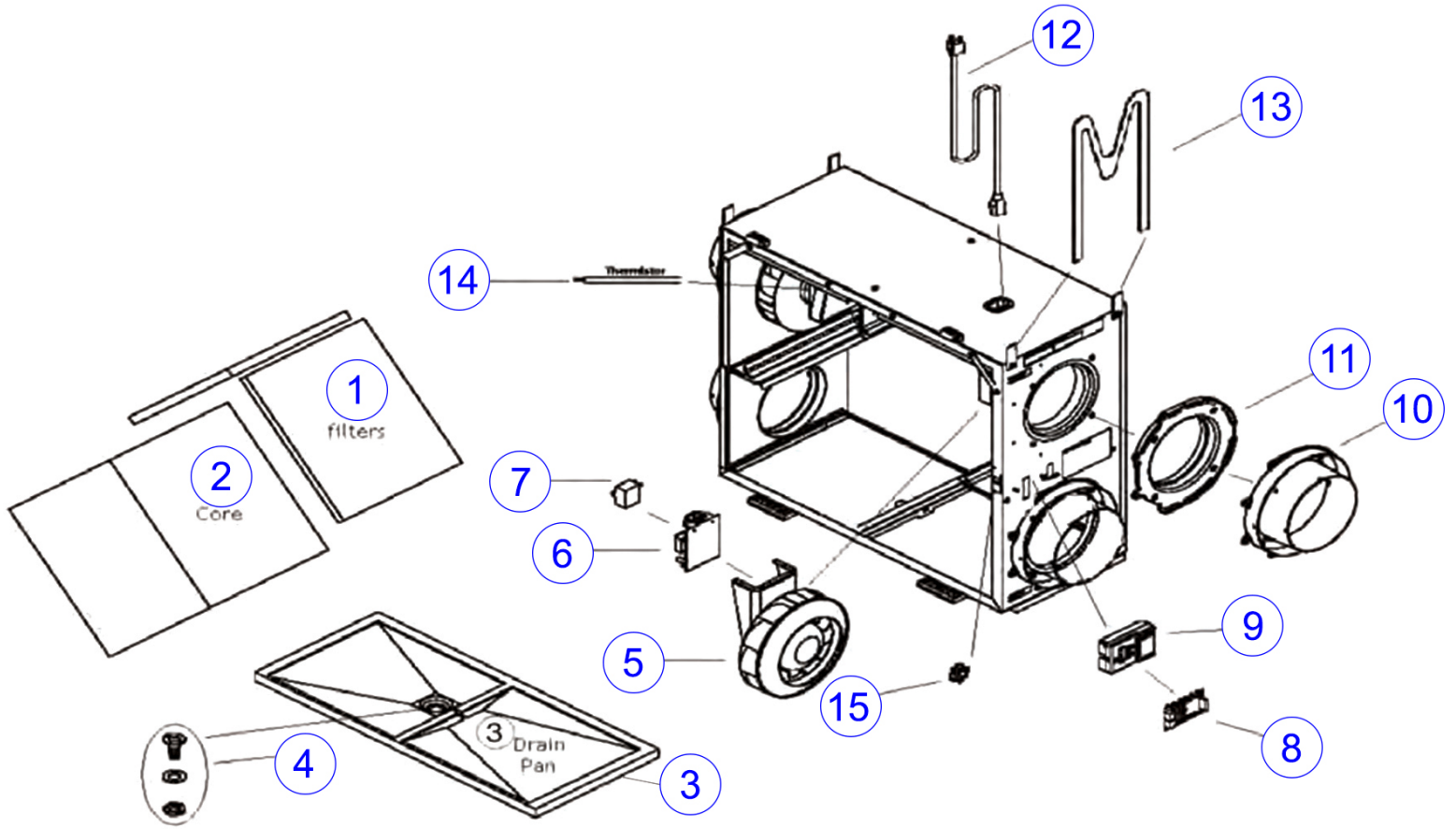


HRV Model 8160 Replacement Parts



Item	Qty. Req'd	GFI Number	Part Description	ERV		HRV	
				3160	3220	8160	8220
1	1	4663	100328 Filter Media Pads	X		X	
	1	4667	100329 Filter Media Pads		X		X
2	1	4662	101789 Polypropoylene Core Replacement			X	
	1	4664	101788 Polypropoylene Core Replacement				X
	1	4672	101791 Enthalpy Core Replacement	X			
	1	4674	101790 Enthalpy Core Replacement		X		
3	1	4668	101428 Drain Pan	X		X	
	1	4669	101429 Drain Pan		X		X
4	1	4673	100770 Drain Fitting Kit	X	X	X	X
5	1	4677	101792 Blower Motor	X	X	X	X
6	1	4678	101787 Electronic Board, High Voltage	X	X	X	X
7	1	4679	101800 Capacitor	X	X	X	X
8	1	4681	101781 Electronic Board, Low Voltage	X	X	X	X
9	1	4682	100769 Duotrol Kit, Box & Decals Only	X	X	X	X
10	1	4683	101795 6" Dia. Plastic, Dbl. Collar. Req's 101796	X	X	X	X
11	1	4684	101796 6" Dia. Plastic, Keeper. Req's 101795	X	X	X	X
12	1	4686	101798 Power Cord. 18AWG, 60" SJT, CSA/UL	X	X	X	X
13	1	4687	101806 Adjustable Hanging Straps	X	X	X	X
14	1	4688	101802 Thermistor C/W Harness	X	X	X	X
15	1	4689	101803 Door Switch, SPST MPL	X	X	X	X

Parts Not Shown

	1	4685	DC4E Elite Dehumidistat Control - Accessory	X	X	X	X
	1	4690	TR3 Timer Control - Accessory	X	X	X	X